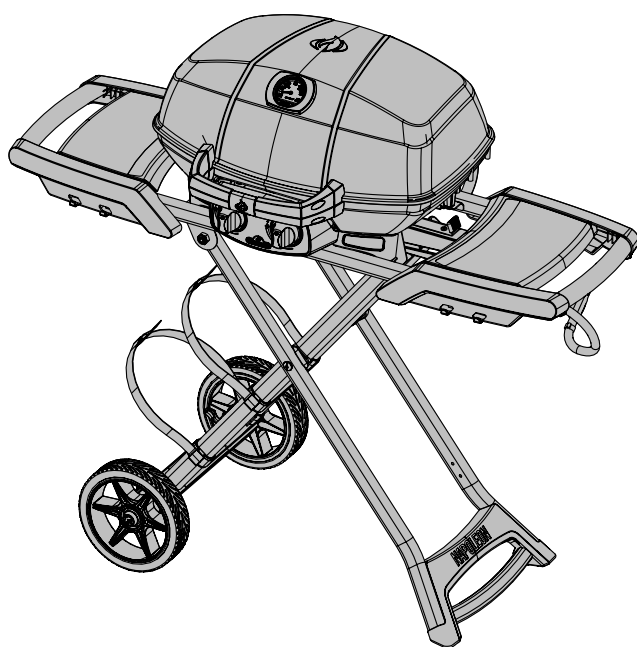
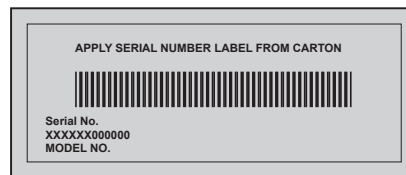


This gas grill must be used only outdoors in a well-ventilated space and must not be used inside a building, garage, screened-in porch, gazebo or any other enclosed area.



PRO285X



DANGER

IF YOU SMELL GAS:

- Shut off gas to the appliance.
- Extinguish any open flame.
- Open lid.
- If odor continues, keep away from the appliance and immediately call your gas supplier or fire department.



WARNING

Do not try to light this appliance without reading the "LIGHTING" instructions section of this manual.

Do not store or use gasoline or other flammable liquids or vapors in the vicinity of this or any other appliance. An L.P. cylinder not connected for use must not be stored in the vicinity of this or any other appliance. If the information in these instructions is not followed exactly, a fire or explosion may result, causing property damage, personal injury or death.

Notice to Installer: Leave these instructions with the grill owner for future reference.



N415-0437CE-GB-DE REV - AUG 31.22

Wolf Steel Europe BV
De Riemsdijk 22, 4004 LC, Tiel
The Netherlands
eu.info@napoleon.com

www.napoleon.com

EN

DE
PG.15



PG.29

Napoleon President's 10 Year Limited Warranty



NAPOLEON products are designed with superior components and materials, and are assembled by trained craftsmen who take great pride in their work. This grill has been thoroughly inspected by a qualified technician before packaging and shipping to ensure that you, the customer, receive the quality product you expect from NAPOLEON.

NAPOLEON warrants that components in your new NAPOLEON product will be free from defects in material and workmanship from the date of purchase, for the following period:

Aluminum castings/stainless steel base	10 years
Stainless steel lid	10 years
Porcelain-enameled lid	10 years
Painted steel lid	5 years plus 10
Stainless steel tube burner	5 years plus 10
Stainless steel flame protection inserts	5 years plus 10
Porcelainized cast iron cooking grids	5 years plus 10
Ceramic infrared burner (excluding mesh)	5 years plus 10
Porcelain flame protection inserts	3 years plus 10
All other parts	2 years

Plus 10 refers to an extended warranty period, during which we supply spare part to the purchaser at 50% of the current retail price for an additional 10 years.

*Conditions and Limitations

This Limited Warranty creates a warranty period as specified in the aforementioned table, for any product purchased through an authorized NAPOLEON dealer, and entitles the original purchaser to the specified coverage in respect of any component replaced within the warranty period, either by NAPOLEON or an authorized NAPOLEON dealer, to replace a component of such product that has failed in normal private use as a result of a manufacturing defect. The "50% off" indicated in the table means the component is made available to the purchaser at a 50% discount off the regular retail price of the component for the period indicated. This Limited Warranty does not cover accessories or bonus items.

For greater certainty, "normal private use" of a product means that the product: has been installed by a licensed, authorized service technician or contractor, in accordance with the installation instructions included with the product and all local and national building and fire codes; has been properly maintained; and has not been used as a communal amenity or in a commercial application.

Similarly, "failure" does not include: over-firing, blow outs caused by environmental conditions such as strong winds or inadequate ventilation, scratches, dents, corrosion, deterioration of painted and plated finishes, discoloration caused by heat, abrasive or chemical cleaners or UV exposure, chipping of porcelain enameled parts, or damages caused by misuse, accident, hail, grease fires, lack of maintenance, hostile environments such as salt or chlorine, alterations, abuse, neglect or parts installed from other manufacturers.

Should deterioration of parts occur to the degree of non-performance (rusted through or burnt through) within the duration of the warranted coverage, a replacement part will be provided. The replacement component is the sole responsibility of NAPOLEON defined by this Limited Warranty; in no event will NAPOLEON be responsible for installation, labor or any other costs or expenses related to the re-installation of a warranted part, for any incidental, consequential, or indirect damages or for any transportation charges, labor costs or export duties.

This Limited Warranty is provided in addition to any rights afforded to you by local laws. Accordingly, this Limited Warranty imposes no obligation upon NAPOLEON to keep parts in stock. Based on the availability of parts, NAPOLEON may at its discretion discharge all obligations by providing a customer a prorated credit towards a new product. After the first year, with respect to this Limited Warranty NAPOLEON may, at its discretion, fully discharge all obligations with respect to this warranty by refunding to the original warranted purchaser the wholesale price of any warranted but defective part(s).

The bill of sale or copy will be required together with a serial number and a model number when making any warranty claims from NAPOLEON. NAPOLEON reserves the right to have its representative inspect any product or part prior to honoring any warranty claim. You must contact NAPOLEON Customer Service or an authorized NAPOLEON dealer to obtain the benefit of the warranty coverage.



www.napoleon.com



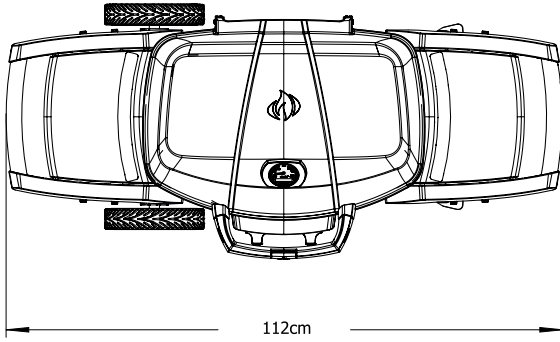
WARNING! Failure to follow these instructions could result in property damage, personal injury or death. Read and follow all warnings and instructions in this manual prior to operating grill.

EN

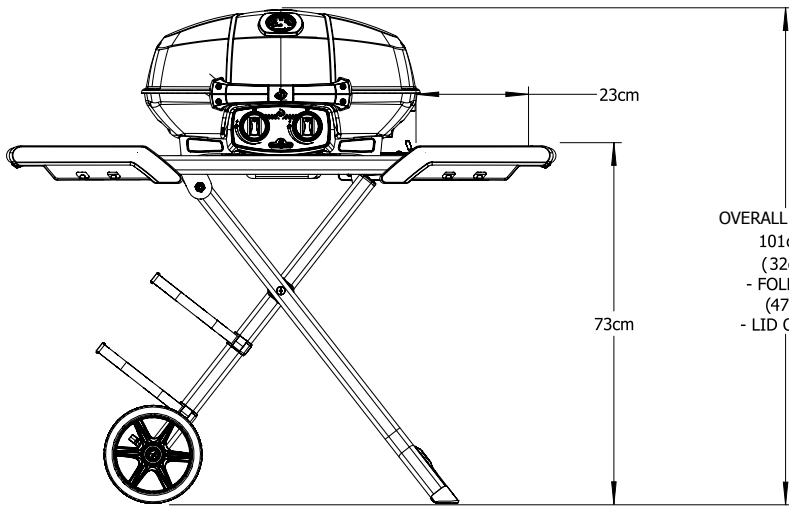
Safe Operating Practices

- This gas grill must be assembled exactly according to the instructions in the manual. If the grill was store assembled, you must review the assembly instructions to confirm correct assembly and perform the required leak tests before operating the grill.
- Read the entire instruction manual before operating the gas grill.
- This gas grill must only be used outdoors in a well-ventilated space and must not be used inside a building, garage, screened in porch, gazebo or any other enclosed area.
- This gas grill is designed for propane, butane or a propane/butane mix only.
- Do not locate in windy settings. High winds adversely affect the cooking performance of the gas grill.
- Under no circumstances should this gas grill be modified. Parts sealed by the manufacturer, licensed authorized service technician or contractor must not be manipulated by the user.
- Do not operate unit under any combustible construction.
- Maintain proper clearance to combustibles 18" (457mm) to rear of unit, 18" (457mm) to sides). Additional clearance is recommended near vinyl siding or panes of glass.
- The gas supply hose must be installed in a manner that will not allow contact with any hot surfaces of the grill while in use or in the storage/travel mode.
- The gas cartridge must be disconnected when the gas grill is not in use.
- When the gas cartridge is connected to the appliance, the gas grill and cartridge must be stored outdoors in a well-ventilated space.
- When the gas grill is to be stored indoors, the connection between the propane cartridge and the gas grill must be disconnected and the cartridge removed and stored outdoors in a well ventilated space out of reach of children. Disconnected cartridges must not be stored in a building, garage or any other enclosed area.
- Inspect the gas supply hose before each use. If there is evidence of excessive abrasion or wear or the hose is cut, it must be replaced, prior to using the gas grill, with a replacement hose assembly specified by the grill manufacturer.
- Never store a spare cartridge under or near this grill.
- Do not route hose underneath drip pan - proper hose clearance to bottom of unit must be maintained.
- Leak test the unit before initial use, annually and whenever any gas components are replaced.
- Follow the lighting instructions carefully when operating the grill.
- Do not light burners with lid closed.
- Adults and especially children should be alerted to the hazards of high surface temperatures. Young children should be supervised near the gas grill.
- Do not leave grill unattended when operating.
- Do not move grill when hot or operating.
- Keep any electrical supply cord and gas supply hose away from any heated surfaces.
- Ensure sear plate (if equipped) is positioned properly.
- Clean grease tray and sear plates (if equipped) regularly to avoid build-up, which may lead to grease fires.
- Do not use water, beer, or any other liquids to control flare-ups.
- Do not use a pressure washer to clean any part of the unit.
- This gas grill is not intended for commercial use.
- This gas grill is not intended for and should never be used as a heater.

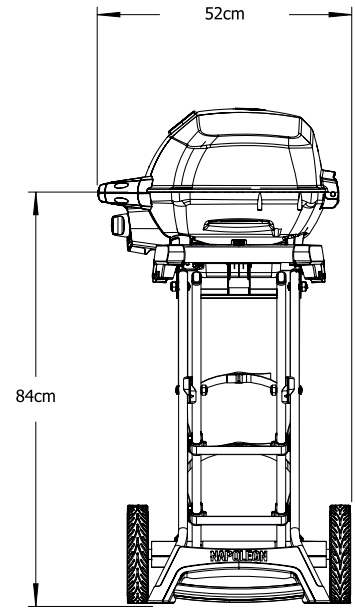
DIMENSIONS



GRILL SIZE: 37 cm X 54 cm (IRREGULAR) = 1840 cm²
 ALL DIMENSIONS ARE APPROXIMATE



OVERALL HEIGHT
 101cm
 (32cm
 - FOLDED)
 (47cm
 - LID OPEN)



Handle With Care



CAUTION! Use care when handling or transporting your grill to prevent damage and misalignment of internal components. Although this grill has been designed with mobility in mind, rough handling or abuse will result in damage to internal components, preventing your grill from operating properly.



Correct Disposal Of This Product

This marking indicates that this product should not be disposed with other household wastes throughout the EU. To prevent possible harm to the environment or human health from uncontrolled waste disposal, recycle it responsibly to promote the sustainable reuse of material resources. To return your used device, please use the return and collection systems or contact the retailer where the product was purchased. They can take this product for environmental safe recycling.

Gas Cylinder

Use only gas cylinders, which meet national and regional codes. For optimal performance the grill should be operated on propane. Ensure that the cylinder can provide enough fuel to operate the appliance. If in doubt, check with your local gas supplier.

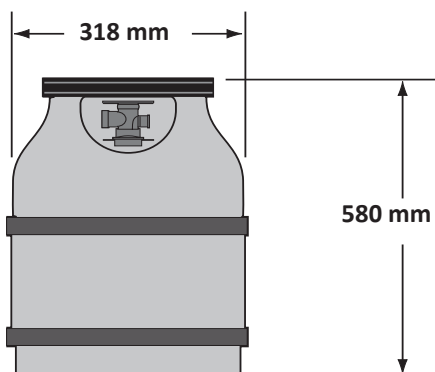
- Use caution when handling the cylinder valve.
- Never connect a cylinder, which does not meet local codes.
- Spare cylinders must not be stored in close proximity of an operating unit. Cylinders must not be exposed to extreme heat or direct sunlight.



WARNING! Ensure that the hose is routed to maintain proper clearance to the underside of the unit. Hoses that contact high temperature surfaces may melt and leak, causing a fire.

Cylinder Connection: Ensure that the gas regulator hose is kink free. Remove the cap or plug from the cylinder fuel valve. Tighten regulator to cylinder valve. *Leak test all joints prior to using the barbecue.* A leak test must be performed annually, and each time a cylinder is hooked up, or if a part of the gas system is replaced.

Example Cylinder



Gas Hose

- If the hose and regulator are not included by the manufacturer, then only hoses and regulators which meet national and regional codes are to be used.
- Ensure that the hose does not come into contact with grease, other hot drippings, or any hot surfaces on the appliance.
- Check hose regularly. In the case of rips, melting or wear, replace hose before using the appliance.
- The recommended hose length is 0.9m. The hose must not be longer than 1.5m.
- Ensure that the hose is twist and kink free when installed.
- Replace the hose before expiry date printed on the hose.

**WARNING!**

- Do not route hose underneath drip pan.
- Ensure all connections are tightened using two wrenches. Do not use Teflon tape or pipe dope on any hose connection.
- Ensure the hose does not contact any high temperature surfaces, or it may melt and leak causing a fire.

Technical Data

The following table lists input values for the appliance.

Burner	Orifice Size		(Gross) Heat Input (Total)		Gas Usage (Total)	
	I	II	I	II	I	II
	#69 (0.74 mm)	#73 (0.61 mm)	4.1kW	4.1kW	301 g/hr	301 g/hr

Certified Gases / Pressures - Check rating plate to ensure that it corresponds with following list.

Gas Category	¹ 3B/P(30)	¹ 3+(28-30/37)	¹ 3B/P(50)
Orifice Sizes(see above)	I	I	II
Gases / Pressures	Butane and Propane at 30mbar	Butane 28-30mbar Propane 37mbar	Butane and Propane at 50mbar
Countries	BE, BG, CY, DK, EE, FI, FR, GB, HR, HU, IS, IT, LT, LU, MT, NL, NO, RO, SE, SI, SK, TR	BE, CH, CY, CZ, ES, FR, GB, GR, IE, IT, LT, LU, LV, PT, SK, SI	AT, CH, DE, SK

Do not tamper with or modify regulator. Use only regulators which supply the pressure listed in the table above. For replacement, use only the regulator specified by the manufacturer.

Cylinder Connection

NOTE! Some regulator hoses contain a nut and a left hand thread, and others must press ON to connect and OFF to detach. Follow the instructions provided below for the appropriate regulator hose.

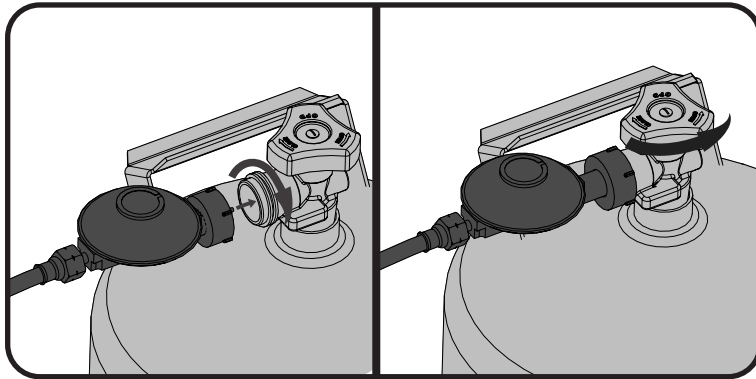


FIG. 1

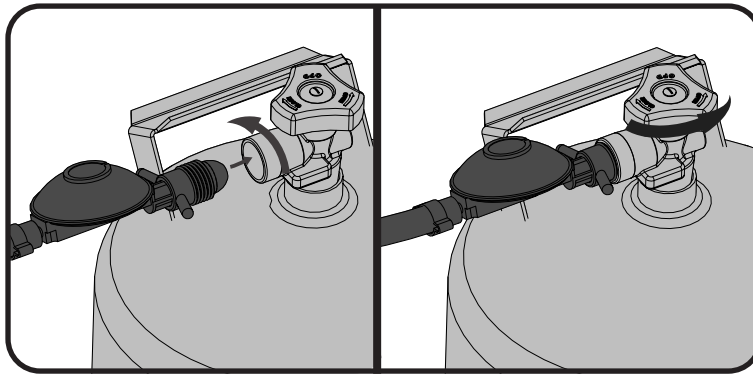


FIG. 2

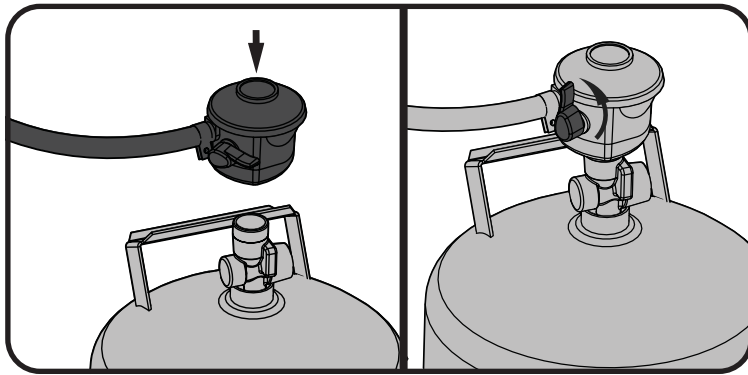


FIG. 3

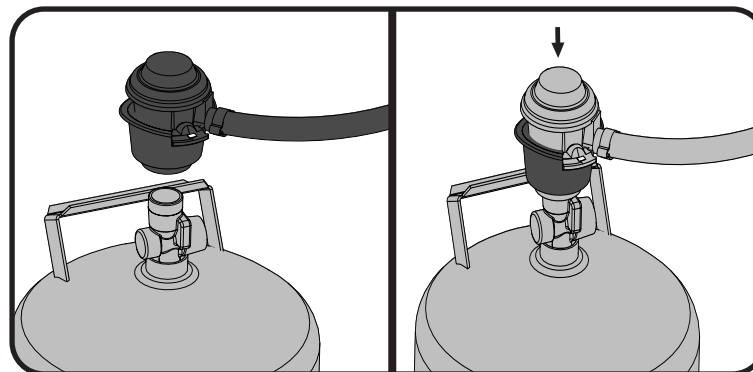
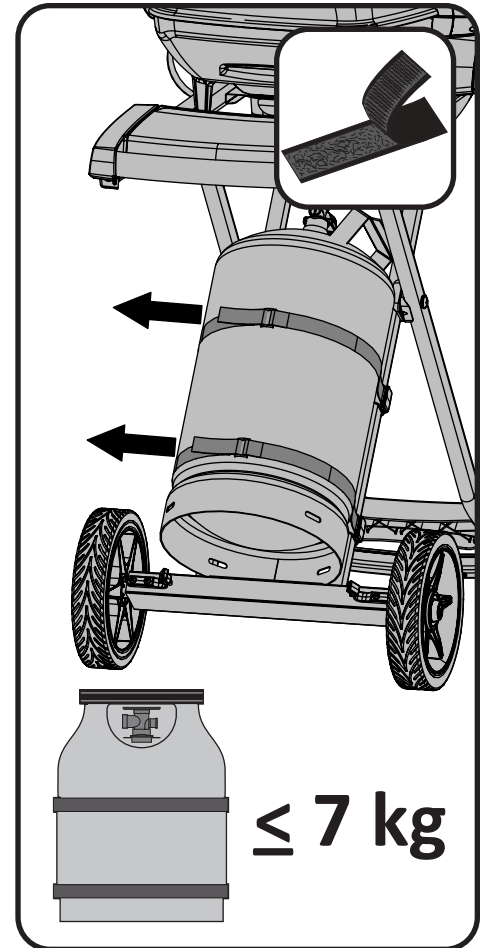


FIG. 4





WARNING! A leak test must be performed annually and each time a cylinder is hooked up or if a part of the gas system is replaced.



WARNING! Never use an open flame to check for gas leaks. Be certain no sparks or open flames are in the area while you check for leaks. Sparks or open flames will result in a fire or explosion, damage to property, serious bodily injury, or death.



Leak testing: This must be done before initial use, annually, and whenever any gas components are replaced or serviced. Do not smoke while performing this test, and remove all sources of ignition. See Leak Testing Diagram for areas to check. Turn all burner controls to the off position. Turn gas supply valve on.

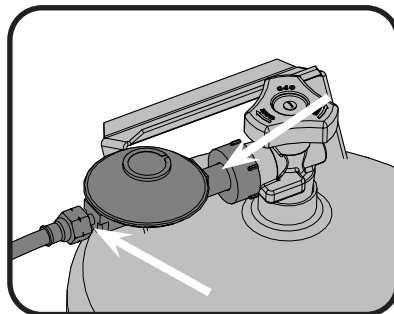
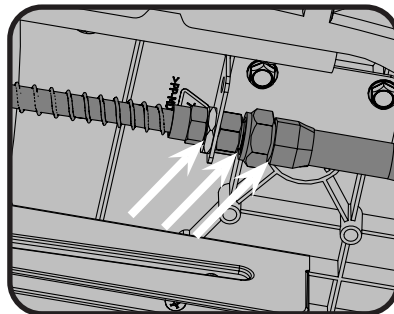
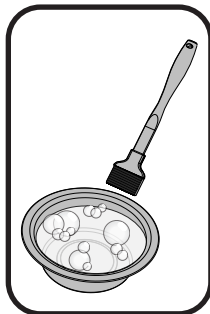
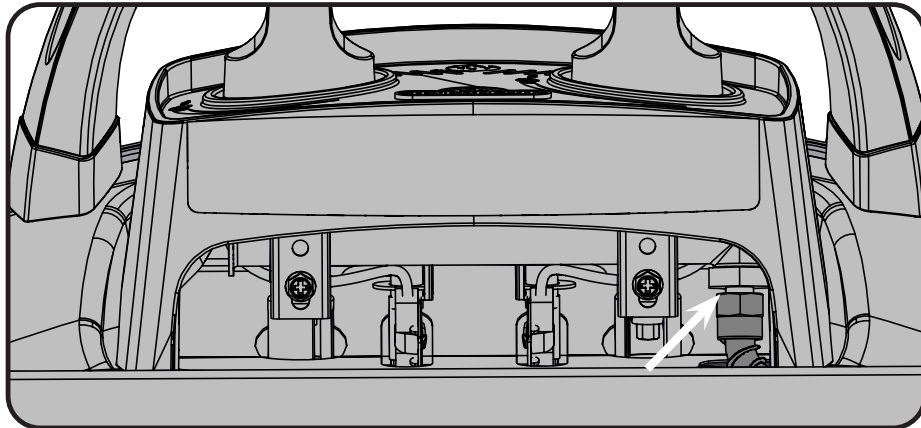


Brush a half-and-half solution of liquid soap and water onto all joints and connections of the regulator, hose, manifolds and valves.

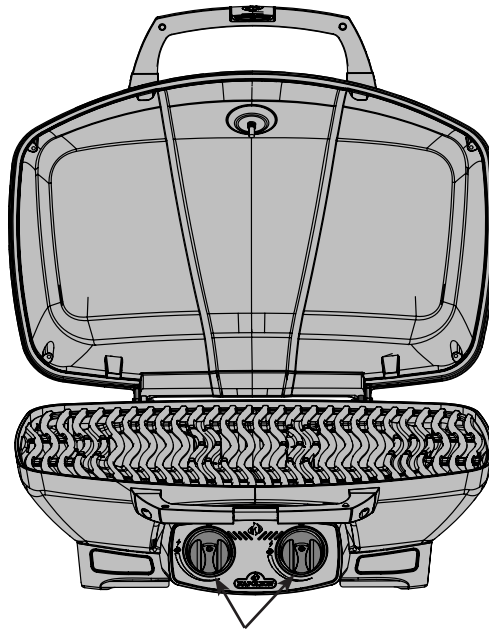


Bubbles will indicate a gas leak. Either tighten the loose joint or have the part replaced with one recommended by the Napoleon Customer Solutions department and have the grill inspected by a certified gas installer.

If the leak cannot be stopped, **immediately shut off the gas supply**, disconnect it, and have the grill inspected by a certified gas installer or dealer. Do not use the grill until the leak has been corrected.



Lighting Instructions

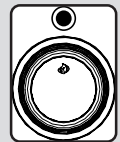


Burner Control



WARNING! Open lid

Off Position



WARNING! Ensure all burner controls are in the off position. Slowly turn on the cylinder gas supply valve.

Main Burner Lighting

1. Open grill lid

2. Push and turn any main burner control knob slowly to the 'hi' position. This action will ignite the selected burner.

3. If the burner does not ignite, then immediately turn the control knob back to the 'off' position and repeat step 2 several times.

4. If the burner will not ignite within 5 seconds, turn the control knob to the 'off' position and wait 5 minutes for any excess gas to dissipate, either repeat steps 2 and 3 or light with a match.



5. If lighting the unit with a match, clip the match into the supplied lighting rod. Hold the lit match down through the grill while turning the corresponding burner valve to high.



WARNING! Do not use this grill under extended awnings. Failure to follow these instructions could result in a fire or personal injury.



DANGER! Allow the grill to cool to the touch before moving or storing. Failure to do so could result in a fire resulting in property damage, personal injury or death.

Initial Lighting: When lit for the first time, the gas grill emits a slight odor. This is a normal temporary condition caused by the “burn-in” of internal paints and lubricants used in the manufacturing process and does not occur again. Simply run the main burners on high for approximately one-half hour.

Main Burner Use: When searing foods, we recommend preheating the grill by operating all main burners in the high position with the lid closed for approximately 10 minutes. Food cooked for short periods of time (fish, vegetables) can be grilled with the lid open. Cooking with the lid closed will ensure higher, more even temperatures that can reduce cooking time and cook meat more evenly. Food that has a cooking time longer than 30 minutes, such as roasts, can be cooked indirectly (with the burner lit opposite to the food placement). When cooking very lean meats, such as chicken breasts or lean pork, the grids can be oiled before pre-heating to reduce sticking. Cooking meat with a high degree of fat content can create flare-ups. Either trim the fat or reduce temperatures to inhibit this. Should a flare-up occur, move food away from the flames and reduce the heat. Leave the lid open. See Your All Season Grill cookbook by Napoleon for more detailed instructions.

Cleaning Instructions



WARNING! Always wear protective gloves and safety glasses when servicing your grill.



WARNING! To avoid the possibility of burns, maintenance should be done only when the grill is cool. Avoid unprotected contact with hot surfaces. Ensure all burners are turned off. Clean grill in an area where cleaning solutions will not harm decks, lawns, or patios. Do not use oven cleaner to clean any part of this gas grill. Do not use a self-cleaning oven to clean cooking grids or any other parts of the gas grill. Barbecue sauce and salt can be corrosive and will cause rapid deterioration of the gas grill components unless cleaned regularly.



Note: Stainless steel tends to oxidize or stain in the presence of chlorides and sulfides, particularly in coastal areas and other harsh environments, such as the warm, highly humid atmosphere around pools and hot tubs. These stains could be perceived as rust, but can be easily removed or prevented. To provide stain prevention and removal, wash all stainless steel and chrome surfaces every 3-4 weeks or as often as required with fresh water and/or stainless steel cleaner.

Cast Iron Cooking Grids: The cast iron cooking grids supplied with your new grill offer superior heat retention and distribution. By regularly seasoning your grids you are adding a protective coating, which will aid in resisting corrosion and increase your grids non-stick capabilities.

First Time Use: Wash the cooking grids by hand with mild dish soap and water to remove any residue from the manufacturing process (never wash in a dish washer). Rinse thoroughly with hot water and dry completely with a soft cloth. This is important to avoid moisture from entering the cast iron.

Seasoning: Using a soft cloth, spread VEGETABLE SHORTENING over the entire grid surface ensuring all grooves and corners are covered. Do not use salted fats such as butter or margarine. Pre-heat your grill for 15 minutes, then place the seasoned cooking grids in the grill. Turn the burner control knobs to medium with the lid closed. Allow the cooking grids to heat for approximately one-half hour. Turn all the burners to the “OFF” position and turn the gas off at the source. Let the cooking grids stand until cool. This procedure should be repeated several times throughout the season, although it is not required for daily use (follow daily usage procedure below).

Daily Usage: Before pre-heating, and cleaning with a brass wire grill brush, coat the entire top surface of the cooking grids with VEGETABLE SHORTENING. Pre-heat the grill and then brush away any unwanted residue with a brass wire brush.

Cleaning Inside The Gas Grill : Remove the cooking grids. Use a brass wire brush to clean loose debris from casting sides and underneath the lid. Brush all debris from inside the gas grill into the removable drip pan.

Drip Pan: Accumulated grease is a fire hazard. Clean the drip pan frequently to avoid grease buildup. Grease and excess drippings pass through to the drip pan, located beneath the gas grill and accumulate. To clean, slide the drip pan free of the grill. Never line the drip pan with aluminum foil, sand or any other material as this could prevent the grease from flowing properly. The pan should be scraped out with a putty knife or scraper.



CAUTION! Ensure drip pan is empty and clean before transporting grill in vertical position.

Cleaning The Outer Grill Surface: Do not use abrasive cleaners or steel wool on any painted, porcelain or stainless steel parts of your Napoleon Grill. Doing so will scratch the finish. Exterior grill surfaces should be cleaned with warm soapy water while the metal is still warm to the touch. To clean stainless surfaces, use a stainless steel or a non-abrasive cleaner. Always wipe in the direction of the grain. Over time, stainless steel parts discolor when heated, usually to a golden or brown hue. This discoloration is normal and does not affect the performance of the grill. Porcelain enamel components must be handled with additional care. The baked-on enamel finish is glass-like, and will chip if struck. Touch-up enamel is available from your Napoleon Grill dealer.

Maintenance Instructions

We recommend this gas grill be thoroughly inspected and serviced annually by a qualified service person. At all times keep the gas grill area free from combustible materials, gasoline and other flammable vapors and liquids. Do not obstruct the flow of ventilation and combustion air.



WARNING! Always wear protective gloves and safety glasses when cleaning your grill.



WARNING! Turn off the gas at the source and disconnect the unit before servicing. To avoid the possibility of burns, maintenance should be done only when the grill is cool. A leak test must be performed annually and whenever any component of the gas train is replaced or gas smell is present.



Burner: The burner is made from heavy wall 304 stainless steel, but extreme heat and a corrosive environment can cause surface corrosion to occur. This can be removed with a brass wire brush.



CAUTION! Beware of Spiders.

Spiders and insects are attracted to the smell of propane and natural gas. The burner is equipped with an insect screen on the air shutter, which reduces the likelihood of insects building nests inside the burner but does not entirely eliminate the problem. A nest or web can cause the burner to burn with a soft yellow or orange flame or cause a fire (flashback) at the air shutter underneath the control panel. To clean the inside of the burner, it must be removed from the gas grill: Remove the screw (s) that attach the cross light bracket and the burner to the base. Slide the burner back and upwards to remove. Cleaning: Use a flexible venturi tube brush to clean the inside of the burner. Shake any loose debris from the burner through the gas inlet. Check the burner ports and valve orifices for blockages. Burner ports can close over time due to cooking debris and corrosion; use an opened paperclip to clean them. The ports are easier to clean if the burner is removed from the grill, but it can also be done with the burner installed.

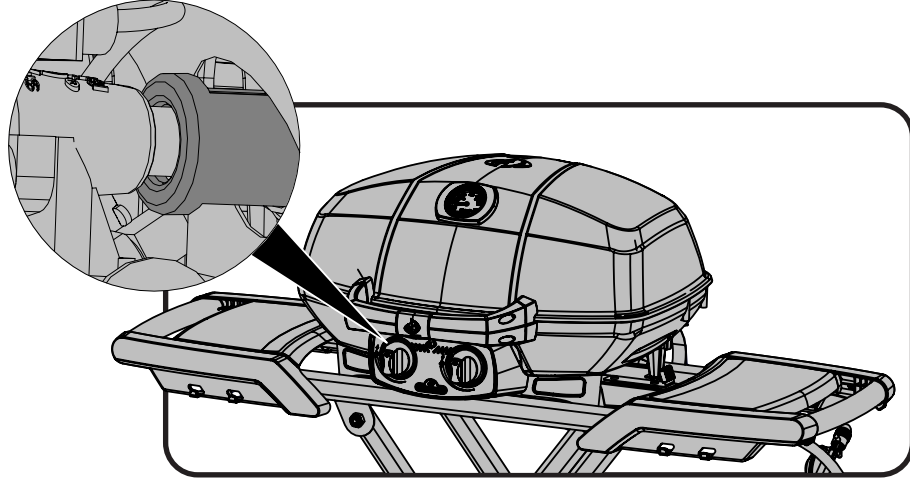
CAUTION! Take care not to enlarge the holes.

Ensure the insect screen is clean, tight, and free of any lint or other debris.

Reinstallation: Reverse the procedure to reinstall the burner. Check that the valve enters the burner when installing. Replace cross light bracket and tighten screws to complete reinstallation.



WARNING! When reinstalling the burner after cleaning it is very important that the valve/orifice enters the burner tube before lighting your gas grill. If the valve is not inside the burner tube a fire or explosion could occur.



CAUTION! Check for abrasions, melting, cuts, and cracks in the hose. If any of these conditions exist, do not use the gas grill. Have the part replaced by your Napoleon Grill dealer or qualified gas installer.

Cast Aluminum Lid: Your grill is equipped with a cast aluminum lid which will not rust and can easily be refinished. The inside of the lid is raw aluminum, flow marks and releasing agent marks may be present, this is not a defect but marks from the mold which is used in the manufacturing process.

Clean the lid periodically with warm soapy water. Although cast aluminum will not rust, high temperatures and weathering can cause oxidation to occur on aluminum surfaces. This appears as white spots on the casting. To refinish these areas, clean first and sand lightly with fine sandpaper. Wipe the surface to remove any residue and paint with high temperature barbecue paint. Protect surrounding areas from over-spray. Follow the manufacture's directions for curing.

Troubleshooting

Problem	Possible Causes	Solution
Low heat / Low flame when valve turned to high.	Blockage of gas. Improper preheating.	Check for spider webs in the burner or orifice. Preheat grill with main burners on high for 5 to 10 minutes.
Excessive flare-ups/ uneven heat.	Improper preheating. Excessive grease and ash build up in drip pan.	Preheat grill with both main burners on high for 5 to 10 minutes. Clean drip pan regularly. Do not line pan with aluminum foil. Refer to cleaning instructions.
Burners burn with yellow flame, accompanied by the smell of gas.	Possible spider web or other debris, or improper air shutter adjustment.	Thoroughly clean burner by removing. See general maintenance instructions. Open air shutter slightly according to combustion air adjustment instructions. (This must be done by a qualified gas installer.)
Flames lift away from burner, accompanied by the smell of gas, and possibly difficulties in lighting.	Improper air shutter adjustment.	Close air shutter slightly according to combustion air adjustment instructions. (This must be done by a qualified gas installer.)
Burner will not light with the igniter, but will light with a match.	Jet-fire outlet is dirty or clogged.	Clean jet-fire outlet with a soft bristle brush.
Humming regulator.	Normal occurrence on hot days.	This is not a defect. It is caused by internal vibrations in the regulator and does not affect the performance or safety of the gas grill. Humming regulators will not be replaced.
"Paint" appears to be peeling inside lid or hood.	Grease build-up on inside surfaces.	This is not a defect. The peeling is caused by hardened grease, which dries into paint-like shards that flake off. Regular cleaning will prevent this. See cleaning instructions.
Burner output on "high" setting is too low. (Rumbling noise and fluttering blue flame at burner surface.)	Lack of gas. Supply hose is pinched. Dirty or clogged orifice. Spider webs or other matter in venturi tube.	Check gas level in propane cylinder. Reposition supply hose as necessary. Clean burner orifice. Clean out venturi tube.

KEEP YOUR RECEIPT AS PROOF OF PURCHASE TO VALIDATE YOUR WARRANTY.

Ordering Replacement Parts

Warranty Information

MODEL: _____

DATE OF PURCHASE: _____

SERIAL NUMBER: _____

(Record information here for easy reference)

For replacement parts and warranty claims, contact the Napoleon dealer where the product was purchased.

Before contacting the dealer, check the Napoleon Grills Website for more extensive cleaning, maintenance, troubleshooting and parts replacement instructions at www.napoleon.com.

To process a claim, the following information is required:

1. Model and serial number of the unit.
2. Part number and description.
3. A concise description of the problem ('broken' is not sufficient).
4. Proof of purchase (photocopy of the invoice).

In some cases, Napoleon could request to have the parts returned to the factory for inspection before providing replacement parts.

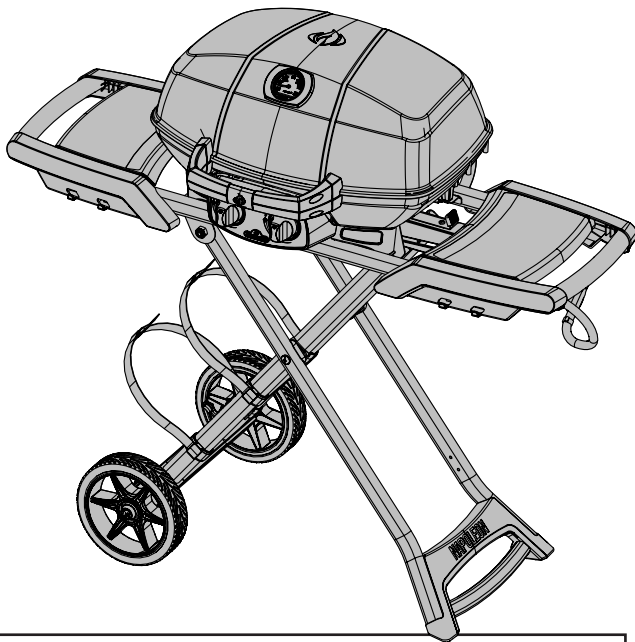
Before contacting Napoleon dealer, please note that the following items are not covered by the warranty:

- Costs for transportation, brokerage or export duties.
- Labour costs for removal and reinstallation.
- Costs for service calls to diagnose problems.
- Discolouration of stainless steel parts.
- Part failure due to lack of cleaning and maintenance, or use of improper cleaners (oven cleaner or other harsh chemicals).

Dieser Gasgrill darf nur an einem gut belüfteten Ort im Freien benutzt werden, nicht jedoch in einem Gebäude, einer Garage oder einem anderen geschlossenen Bereich.



DE



PRO285X



GEFAHR

WENN ES NACH GAS RIECHT:

- Gaszufuhr zum Gerät absperren.
- Flammen löschen.
- Haube öffnen.
- Wenn es weiterhin nach Gas riechen sollte, dem Gerät fernbleiben und unverzüglich den Gaslieferanten oder die Feuerwehr benachrichtigen.



WARNUNG

Vor dem Zünden dieses Geräts bitte unbedingt den Abschnitt „ZÜNDANLEITUNG“ lesen.

In der Nähe dieses oder anderer Geräte dürfen weder Benzin noch andere brennbaren Flüssigkeiten oder Gase gelagert werden. Dies gilt auch für nicht angeschlossene Gasflaschen. Ein Nichtbefolgen dieser Anleitung kann durch Brände oder Explosionen zu Sachschäden und Körperverletzungen, auch zu tödlichen, führen.

Bitte Bewahren Sie Diese Anleitung Auf



N415-0437CE-GB-DE REV - AUG 31.22

Wolf Steel Europe BV
De Riemsdijk 22, 4004 LC, Tiel
The Netherlands
eu.info@napoleon.com

www.napoleon.com

Napoleon President Beschränkte 10-Jahres-Garantie

Hochwertige Komponenten und Materialien bilden die Grundlage der NAPOLEON Produkte. Sie werden von gelernten Handwerkern, denen ihre Arbeit mit großem Stolz erfüllt, montiert. Dieses Produkt wurde durch einen Fachmonteur gründlich geprüft, bevor es verpackt und ausgeliefert wurde, um zu garantieren, dass Sie, der Kunde, das erwartete Qualitätsprodukt von NAPOLEON erhalten.

NAPOLEON garantiert, dass die Bestandteile Ihres neuen NAPOLEON Produkts ab dem Kaufdatum für den folgenden Zeitraum frei von Material- und Arbeitsfehlern sein werden:

Aluminiumussteile/Edelstahlfuß	10 Jahre
Edelstahlhaube	10 Jahre
Porzellanisierte Haube	10 Jahre
Lackierte Stahlhaube	5 Jahre plus 10
Rohrbrenner aus Edelstahl	5 Jahre plus 10
Flammschutzsätze aus Edelstahl	5 Jahre plus 10
Porzellanisierte Grillroste aus Gusseisen	5 Jahre plus 10
Keramik-Infrarotbrenner (ohne Schutz)	5 Jahre plus 10
Porzellan- Flammenschutzsätze	3 Jahre plus 10
Alle anderen Teile	2 Jahre

plus10 bedeutet eine erweiterte Garantiefrist, wonach das Ersatzteil dem Käufer für zusätzliche 10 Jahre zu 50% des aktuellen Einzelhandelspreises zur Verfügung gestellt wird.

*Bedingungen und Beschränkungen

Diese beschränkte Garantie bewirkt eine wie zuvor in der Aufstellung aufgeführte Garantiefrist für jedes bei einem autorisierten NAPOLEON Händler erworbene Produkt und berechtigt den ursprünglichen Käufer, entsprechend den geltenden Bestimmungen hinsichtlich des Komponentenaustauschs innerhalb der Garantiefrist, zu den entweder durch NAPOLEON oder einen autorisierten NAPOLEON Händler zu erbringenden Garantieleistungen. Diese beziehen sich auf den Austausch einer Komponente eines solchen Produkts, das im normalen Privatgebrauch infolge eines Herstellungsfehlers ausfiel. „Abzüglich 50 %“, wie in der Aufstellung genannt, bedeutet, dass die Komponente dem Käufer für den angegebenen Zeitraum mit 50 % Rabatt auf den regulären Verkaufspreis der Komponente angeboten wird. Diese beschränkte Garantie umfasst weder Zubehör noch Extrateile.

Um Missverständnissen vorzubeugen, „normaler Privatgebrauch“ eines Produkts bedeutet, dass das Produkt durch einen lizenzierten, autorisierten Servicetechniker oder Auftragnehmer in Übereinstimmung mit der dem Produkt beigefügten Installationsanleitung sowie allen lokalen und nationalen Bauverordnungen und Feuerschutzbestimmungen installiert wurde, dass es ordnungsgemäß gepflegt wurde und dass es nicht als Gemeinschaftsvorrichtung oder gewerblich genutzt wurde.

„Ausfallen“ beinhaltet nicht: übermäßige Hitzeerzeugung; Erlöschen der Flammen infolge von Umgebungsbedingungen wie starkem Wind oder unzureichender Luftzirkulation; Kratzer; Beulen; Rostbildung; Abnutzung von aufgetragenen Lackierungen und Plattierungen; durch Hitzeeinwirkung, scheuernde oder chemische Reinigungsmittel oder UV-Bestrahlung verursachte Verfärbung; Beschädigung porzellan-emailierter Teile oder Schäden, die verursacht wurden durch unsachgemäße Nutzung, Unfall, Hagel, Fettbrand, mangelnde Pflege, widrige Umgebungseinflüsse wie Salz oder Chlor, Umbau, Nachlässigkeit oder installierte

Teile von anderen Herstellern. Sollten sich während der gewährten Garantiefrist Teile so sehr abnutzen, dass die Nutzung nicht mehr möglich ist (durchgerostet oder -gebrannt), werden die entsprechenden Ersatzteile bereitgestellt.

NAPOLEON ist gemäß dieser beschränkten Garantie einzig für die Ersatzkomponente verantwortlich. Unter keinen Umständen wird NAPOLEON Verantwortung übernehmen für Installation, Arbeitskräfte oder jegliche andere Kosten im Zusammenhang mit der Installation eines im Garantiefumfang enthaltenen neuen Teils; für Neben-, Folge- oder indirekte Schäden oder für Fracht, Arbeitskosten oder Ausfuhrzölle.

Diese beschränkte Garantie gilt in Ergänzung zu jeglichen Rechten, die Ihnen laut den örtlichen Gesetzen zustehen. Folglich erlegt diese beschränkte Garantie NAPOLEON keine Verpflichtung dahingehend auf, Einzelteile vorrätig zu halten. Auf der Grundlage der Einzelteilverfügbarkeit kann sich NAPOLEON nach eigenem Ermessen von allen Verpflichtungen entbinden, indem dem entsprechenden Kunden eine anteilige Gutschrift beim Kauf eines neuen Produkts gewährt wird. Nach dem ersten Jahr kann sich NAPOLEON in Bezug auf diese beschränkte Garantie nach eigenem Ermessen von allen Verpflichtungen hinsichtlich dieser Garantie vollständig entbinden, indem dem ursprünglichen und ein Garantieanspruch zustehenden Käufer der Großhandelspreis eines jeden im Garantiefumfang enthaltenen aber defekten Einzelteils erstattet wird.

Für die Geltendmachung von Garantieansprüchen bei NAPOLEON sind der Kaufvertrag oder eine Kopie dessen sowie die Serien- und Modellnummer erforderlich.

NAPOLEON ist das Recht vorbehalten, durch einen damit beauftragten Vertreter jedes Produkt oder Teil prüfen zu lassen, bevor einem Garantieanspruch stattgegeben wird. Sie müssen sich an den NAPOLEON Kundendienst oder einen autorisierten NAPOLEON Händler wenden, um von der angebotenen Garantie profitieren zu können.



www.napoleon.com



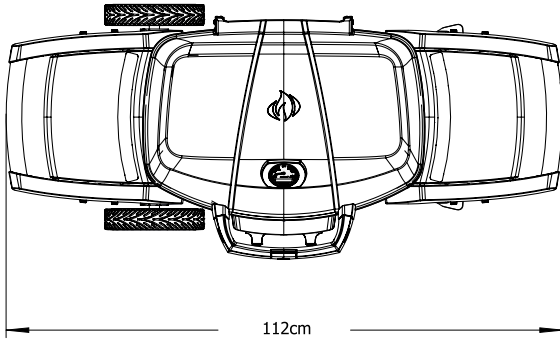
ACHTUNG! Nichtbefolgung dieser Anweisungen kann zu Bränden mit schweren Verletzungen oder zum Tod führen. Lesen Sie die Sicherheitshinweise sorgfältig und leisten Sie diesen Folge bevor Sie den Grill in Betrieb nehmen.

Sicherheitsanweisungen

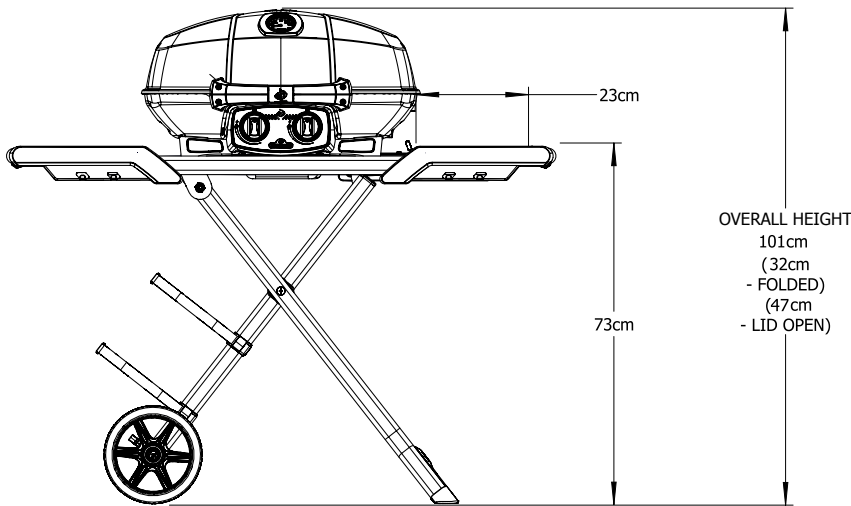
- Der Grill muss exakt nach Montageanleitung montiert werden. Haben Sie den Grill bereits montiert erworben, lesen Sie die Montageanleitung, überprüfen Sie die korrekte Montage und führen Sie die erforderliche Dichtheitsprüfung vor Inbetriebnahme durch.
- Lesen Sie die gesamte Bedienungsanleitung bevor Sie den Grill in Betrieb nehmen.
- Der Grill darf nur im Freien an einem gut durchlüfteten Bereich verwendet werden; nicht innerhalb eines Gebäudes, einer Garage, auf einer abgeschotteten Veranda, Pavillon oder einem anderen geschlossenen Bereich.
- Dieser Grill ist ausschließlich geeignet für Popangas, Butangas oder eine Propan-/Butangas-Mischung.
- Nicht in windiger Umgebung verwenden. Starker Wind kann die Leistung des Grills negativ beeinflussen.
- Der Grill darf nicht umgebaut werden. Abgedichtete Teile des Herstellers, eines autorisierten Servicetechnikers oder Auftragnehmers dürfen nicht vom Anwender verändert werden.
- Halten Sie hinten und seitlich des Grills einen Abstand von 18" (ca. 45 cm) zu brennbaren Stoffen ein. Ein größerer Abstand ist bei Vinyl-Verkleidungen und Glasscheiben empfohlen.
- Der Gasschlauch muss so installiert werden, dass er weder bei Verwendung, noch bei der Aufbewahrung oder dem Transport des Grills mit heißen Oberflächen in Kontakt kommen kann.
- Die Gaskartusche muss bei Nicht-Verwendung des Grills entfernt werden.
- Wenn die Gaskartusche an das Gerät angeschlossen ist, muss dieses im Freien in einem gut durchlüfteten Bereich gelagert werden.
- Wird der Grill in einem Innenraum gelagert, muss die Gaskartusche entfernt und in einem Außenbereich außerhalb der Reichweite von Kindern aufbewahrt werden. Offene Gaskartuschen dürfen nicht in Gebäuden, Garagen oder anderen geschlossenen Bereichen aufbewahrt werden.
- Überprüfen Sie den Gaszufuhrschlauch vor jedem Gebrauch. Wenn es Anzeichen für eine übermäßige Abnutzung, Verschleiß oder Schnitte gibt, muss er vor der Verwendung des Grills mit einem vom Hersteller angegebenen Ersatzschlauch ersetzt werden.
- Bewahren Sie niemals Ersatz-Kartuschen unter oder in der Nähe des Grills auf.
- Leiten Sie den Gaszufuhrschlauch nicht unter der Auffangschale durch. Halten Sie den entsprechenden Abstand zur Unterseite des Grills ein.
- Führen Sie vor dem ersten Gebrauch, einmal jährlich sowie nach dem Tausch von Gas-Komponenten eine Dichtheitsprüfung durch
- Befolgen Sie die Anzündanleitung, wenn Sie den Grill verwenden.
- Entzünden Sie die Brenner nicht bei geschlossenem Grilldeckel.
- Erwachsene und vor allem Kinder sollten vor den hohen Oberflächentemperaturen gewarnt werden. Kleine Kinder sollten in der Nähe des Grills beaufsichtigt werden.
- Lassen Sie den Grill während der Verwendung nicht unbeaufsichtigt.
- Bewegen Sie den Grill nicht während der Verwendung oder solange er heiß ist.
- Halten Sie Elektrokabel und Gaszufuhrschläuche fern von heißen Oberflächen.
- Versichern Sie sich, dass die Grillplatte in der richtigen Position ist (sofern in der Ausstattung enthalten)
- Reinigen Sie die Fettauffangschale und Grillplatten (sofern enthalten) regelmäßig, um Ablagerungen zu vermeiden, die zu Fettbrand führen könnten.
- Verwenden Sie kein Wasser, Bier oder andere Flüssigkeiten um ein Aufflammen zu regulieren.
- Verwenden Sie keinen Hochdruckreiniger bei der Reinigung jeglicher Teile.
- Dieser Grill ist nicht für die kommerzielle Verwendung entwickelt worden.
- Dieser Grill ist nicht als Heizgerät entwickelt worden und sollte niemals als solches verwendet werden.

DIMENSIONS

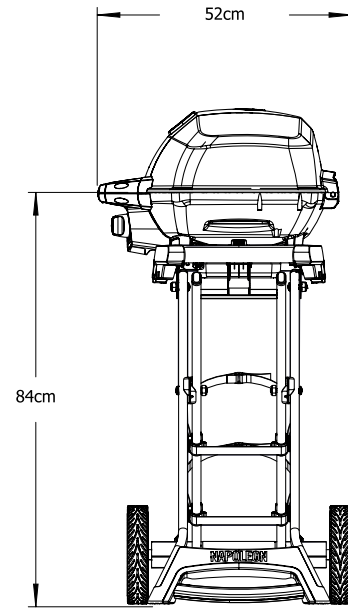
DE



GRILL SIZE: 37 cm X 54 cm (IRREGULAR) = 1840 cm²
ALL DIMENSIONS ARE APPROXIMATE



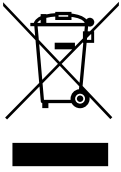
OVERALL HEIGHT
101cm
(32cm
- FOLDED)
(47cm
- LID OPEN)





Vorsichtig handhaben!

ACHTUNG! Bei Handhabung oder Transport des Grills vorsichtig vorgehen, um Schäden und Versatz der internen Bauteile zu vermeiden. Obwohl dieser Grill für Mobilität ausgelegt ist, kann grober oder falscher Umgang zu Schäden an internen Bauteilen und fehlerhafter Funktion führen.



Entsorgung von Altgeräten aus privaten Haushalten in der EU

Dieses Symbol auf dem Produkt oder dessen Verpackung gibt an, dass das Produkt innerhalb der EU nicht zusammen mit dem Restmüll entsorgt werden darf. Die separate Sammlung und das Recyceln Ihrer alten Elektrogeräte zum Zeitpunkt ihrer Entsorgung trägt zum Schutz der Umwelt bei und gewährleistet, dass sie auf eine Art und Weise recycelt werden, die keine Gefährdung für die Gesundheit des Menschen und der Umwelt darstellt. Es obliegt daher Ihrer Verantwortung, das Gerät an einer entsprechenden Rücknahmestelle für die Entsorgung oder Wiederverwertung von Elektro- oder Elektronik-Altgeräten aller Art abzugeben oder wenden Sie sich an den Händler, von dem das Produkt erworben wurde. Gemäß den lokalen Bestimmungen gewährleisten diese Stellen, dass das Gerät auf eine Art und Weise recycelt wird, die keine Gefährdung für die Umwelt darstellt.

Gasflaschen

Verwenden Sie ausschließlich Gasflaschen, die den nationalen und regionalen Vorschriften entsprechen. Für einen optimalen Betrieb sollte Propangas verwendet werden. Stellen Sie sicher, dass die Gasflasche genügend Gas enthält um das Grillgerät zu befeuern. Im Zweifelsfall fragen Sie Ihren Gasflaschen Anbieter.

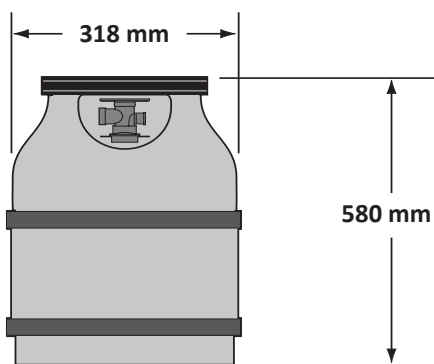
- Vorsicht beim Umgang mit dem Flaschenventil. Verwenden sie niemals eine Gasflasche, die nicht den lokalen Vorschriften entspricht.
- Leere Gasflaschen dürfen nicht unmittelbar neben einem in Betrieb befindlichen Grillgerät gelagert werden.
- Gasflaschen dürfen nicht extremer Hitze oder direkter Sonneneinstrahlung ausgesetzt werden.



WARNUNG! Stellen Sie sicher, dass der Gaszufuhrschlauch mit ausreichend Abstand zur Unterseite des Grills verläuft. Kommt der Schlauch mit heißen Oberflächen in Kontakt, kann er schmelzen, Gas austreten und einen Brand verursachen.

Gasflaschen-Verbindung: Stellen Sie sicher, dass der Gasschlauch nicht geknickt ist. Entfernen Sie die Kappe oder den Aufsatz vom Gashahn. Ziehen Sie den Regler zum Ventil hin fest. Dichtheitsprüfung alle Komponenten vor der Verwendung des Grills. Eine Dichtheitsprüfung ist jährlich durchzuführen, jedes Mal wenn eine Gasflasche angeschlossen wird oder wenn ein Teil des Gassystems ersetzt wird.

Beispiel Zylinder



Gasschlauch

- Wenn der Schlauch und Regler nicht im Lieferumfang des Herstellers enthalten sind, verwenden Sie nur Schläuche und Regler, die die nationalen und regionalen Vorschriften erfüllen.
- Stellen Sie sicher, dass der Schlauch nicht in Kontakt mit Fett, anderen heißen Flüssigkeiten oder heißen Oberflächen am Gerät kommt.
- Kontrollieren Sie den Schlauch regelmäßig. Im Falle von Rissen, Schmelzen oder Verschleiß ersetzen Sie den Schlauch, bevor Sie das Gerät benutzen.
- Die empfohlene Schlauchlänge beträgt 0,9 m und darf nicht länger als 1,5 m sein.
- Stellen Sie sicher, dass der Schlauch nicht verdreht oder geknickt ist, wenn Sie ihn installieren.
- Ersetzen Sie den Schlauch vor dem aufgedruckten Verfallsdatum.



WARNUNG!

- Führen Sie den Zufuhrschlauch nicht unter der Auffangwanne durch.
- Stellen Sie sicher, dass alle Verbindungen mit zwei Schraubenschlüssel angezogen sind. Verwenden Sie kein Teflonband oder Rohrdichtmittel an irgendeinem Schlauchanschluss.
- Achten Sie darauf, dass der Schlauch nicht mit heißen Flächen in Berührung kommt. Andernfalls kann er schmelzen, Gas austreten und einen Brand verursachen.

DE

Technische Daten

Die folgende Tabelle zeigt Eingangsgrößen für das Gerät.

Brenner	Nennweite		Wärmeleistung (brutto) gesamt		Gasverbrauch (gesamt)	
	I	II	I	II	I	II
	#69 (0.74 mm)	#73 (0.61 mm)	4.1kW	4.1kW	301 g/hr	301 g/hr

Zertifizierte Gase/Druck - Überprüfen Sie das Typenschild um sicherzustellen, dass es der folgenden Liste entspricht. Nicht mit Regler hantieren oder modifizierten Regler verwenden.

Gaskategorie	^l ₃ B/P(30)	^l ₃ +(28-30/37)	^l ₃ B/P(50)
Düsengröße (siehe oben)	I	I	II
Gasdruck	Butan und Propane bei 30mbar	Butan 28-30mbar Propane 37mbar	Butan und Propane bei 50mbar
Länder	BE, BG, CY, DK, EE, FI, FR, GB, HR, HU, IS, IT, LT, LU, MT, NL, NO, RO, SE, SI, SK, TR	BE, CH, CY, CZ, ES, FR, GB, GR, IE, IT, LT, LU, LV, PT, SK, SI	AT, CH, DE, SK

Nur Regler verwenden, die den Druck in der obigen Tabelle liefern können. Bei Ersatz nur die vom Hersteller angegebenen Regler verwenden.

Flaschenanschluss

HINWEIS! Einige Druckminderer-Schlauch-Sets haben eine Mutter und ein Linksgewinde, während bei anderen ON zum Anschluss und OFF zum Abtrennen gedrückt werden muss. Bitte beachten Sie die untenstehenden Anweisungen für das jeweilige Modell.

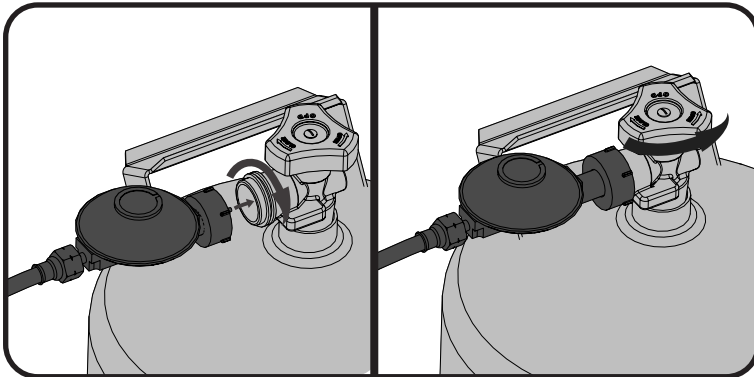


FIG. 1

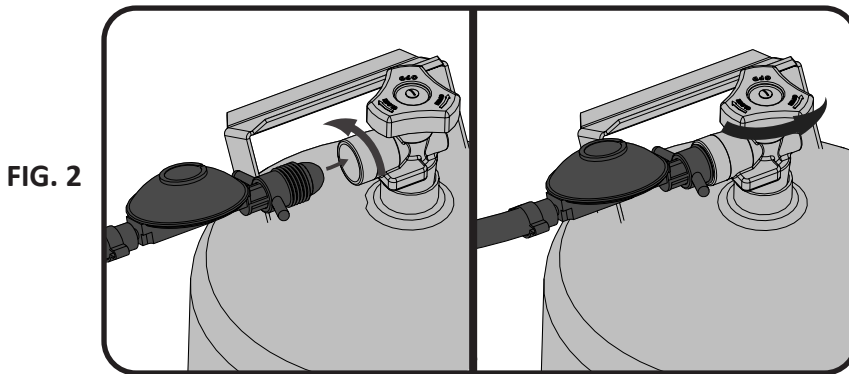


FIG. 2

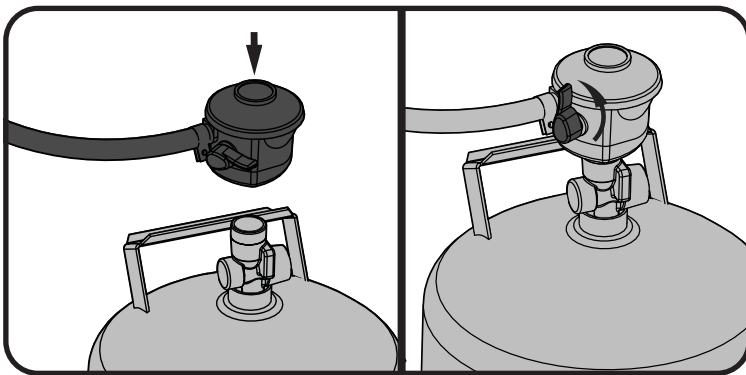


FIG. 3

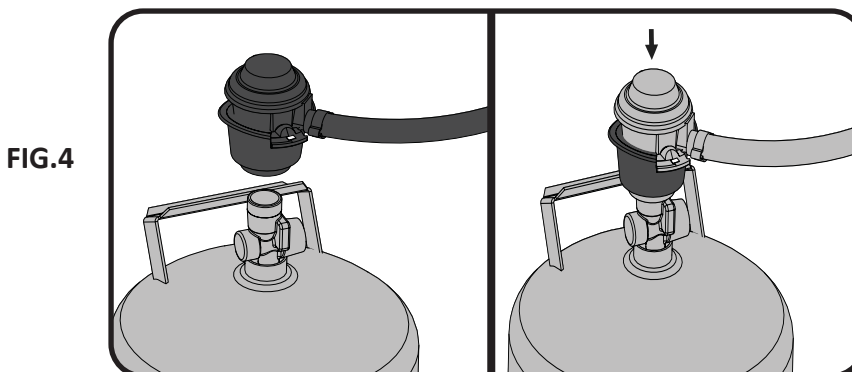
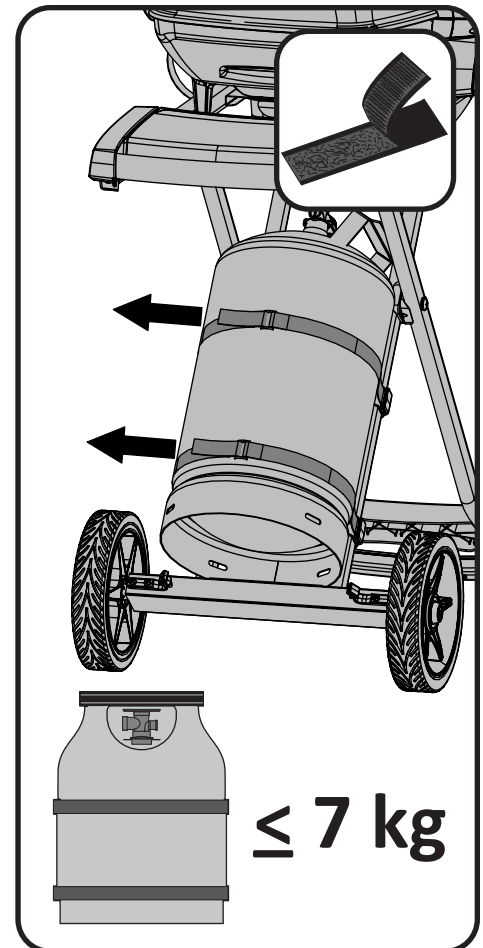


FIG. 4



DE

Anleitung Für Die Leckageprüfung



WARNUNG! Ein Leckagetest muss vor der ersten Benutzung, jährlich und nach Auswechseln oder Warten eines Gasbauteils durchgeführt werden.



WARNUNG! Während der Prüfung ist Rauchen verboten. Alle Zündquellen sind zu entfernen.



Leckageprüfung: Ein Leckagetest muss vor der ersten Benutzung, jährlich und nach Auswechseln oder Warten eines Gasbauteils durchgeführt werden. Während der Prüfung ist Rauchen verboten. Alle Zündquellen sind zu entfernen. Die zu prüfenden Stellen sind auf der *Leckageprüfzeichnung* aufgeführt.



Alle Brenner abstellen. Flaschenventil aufdrehen.



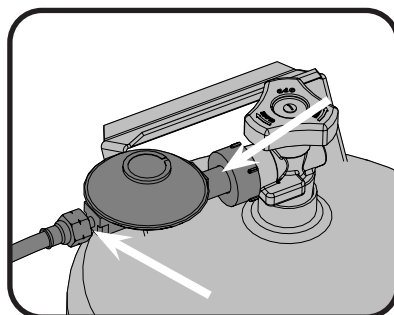
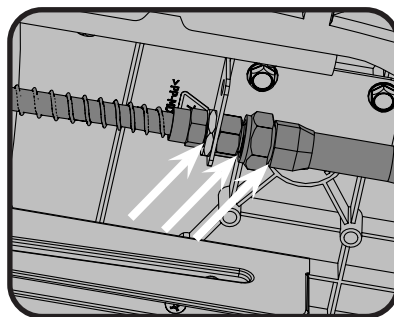
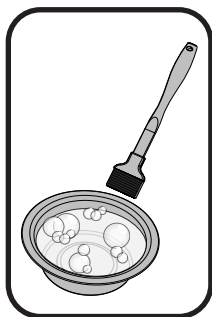
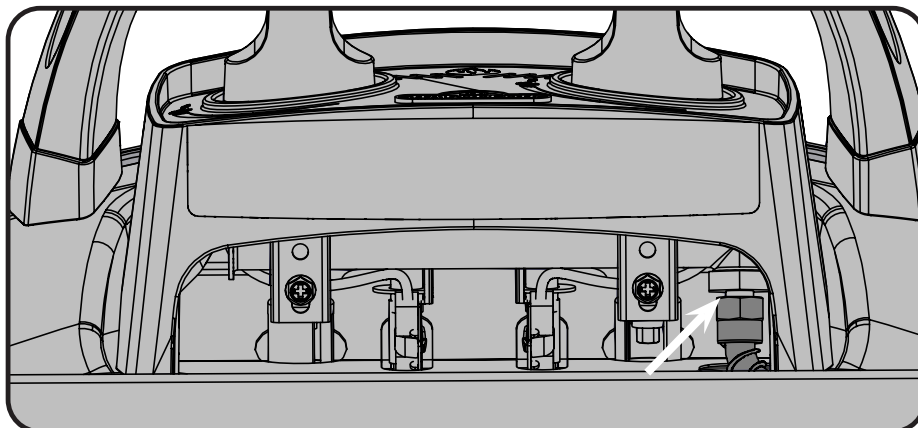
Seifenwasser (halb Wasser, halb Flüssigseife) auf alle Anschlüsse und Verbindungen an Regler, Schlauch, Verteiler und Ventile auftragen.



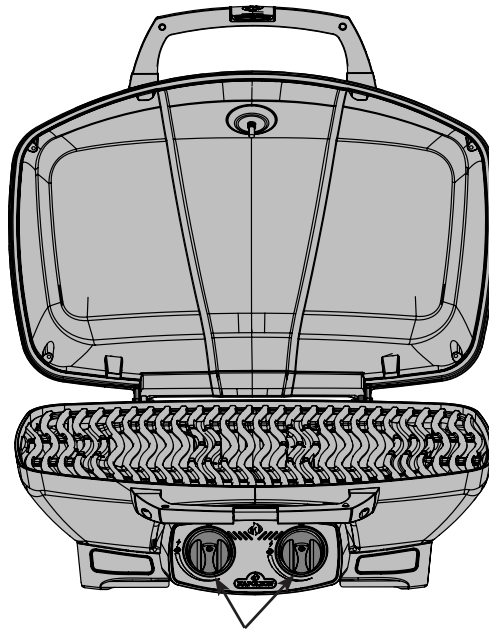
Leckagen werden durch Blasenbildung angezeigt. Leckage durch Festdrehen des Anschlusses oder Austausch des Teils durch ein vom Händler empfohlenes Teil beseitigen.

Bleibt die Leckage bestehen, Flaschenventil zudrehen, Regler abnehmen und Grill vom Gaslieferanten oder Händler untersuchen lassen. Das Gerät darf erst wieder benutzt werden, wenn die Leckage behoben ist.

Gaszufuhr abstellen.



Zündanleitung



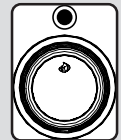
Brenner



WARNUNG! Deckel öffnen

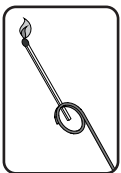
Fermez

WARNUNG! Stellen Sie sicher, dass alle Brenner ausgeschaltet/in OFF-Position sind.
Setzen Sie eine Einweg-Kartusche ein.



Hauptbrenner entzünden

1. Grilldeckel öffnen
2. Drücken und drehen Sie alle Drehregler der Hauptbrenner langsam in die Position "hi". So werden die ausgewählten Brenner gezündet.
3. Falls der Brenner nicht zündet, drehen Sie den Drehregler sofort wieder in die OFF-Position und wiederholen Sie Schritt 2 einige Male.
4. Zündet der Brenner nicht innerhalb von 5 Sekunden, drehen Sie den Drehregler in die OFF-Position und warten Sie 5 Minuten, bis sich etwaiges austretendes Gas verflüchtigt hat, wiederholen Sie Schritt 2 und 3 oder entzünden Sie den Brenner mit einem Streichholz.
5. Wenn Sie den Brenner mit einem Streichholz entzünden, klemmen Sie dieses in die mitgelieferte Anzündstange. Halten Sie das geklemmte Streichholz durch den Rost, während Sie den jeweiligen Drehregler aufdrehen.





DE

Grillanleitung

WARNUNG! Verwenden Sie den Grill nicht unter ausgeklappten Markisen oder Sonnensegeln. Ein Unterlassen der Anweisung kann zu Feuer oder Verletzungen führen.

ACHTUNG! Klappen Sie den Grill nicht unmittelbar nach der Verwendung in den Aufbewahrungs- bzw. Transportmodus. Lassen Sie den Grill ganz abkühlen bevor Sie ihn bewegen oder aufbewahren. Ein Unterlassen dieser Anweisung kann zu einem Feuer und Sachschaden, Verletzungen oder Tod führen.

Beim allerersten Erhitzen gibt der Gasgrill einen leichten Geruch ab. Der Geruch wird durch das „Einbrennen“ der Innenlacke und Verdunsten der Schmiermittel aus der Fertigung verursacht, ist ganz normal und tritt später nicht mehr auf. Vor der ersten Benutzung sollten Sie darum die Hauptbrenner etwa eine halbe Stunde mit größter Hitze brennen lassen. Vor dem Grillen von magerem Fleisch wie Hähnchenbrust oder mageres Schweinefleisch ist es am besten, die Roste vor dem Vorwärmen zu ölen, damit das Fleisch nicht anklebt. Beim Grillen von sehr fettem Fleisch kann es zum Aufflammen kommen. Um Aufflammen zu verhindern, können Sie Fett abschneiden oder mit niedrigerer Temperatur grillen. Wenn es zum Aufflammen kommt, legen Sie das Fleisch von der Flamme weg zur Seite und stellen die Temperatur herunter. Lassen Sie die Haube offen. Eine detaillierte Anleitung finden Sie in Napoleons Grill-Kochbuch.

Verwendung des Hauptbrenners: Vor dem Braten von Speisen sollte der Grill vorgewärmt werden. Hierzu alle Hauptbrenner bei geschlossener Grillhaube auf hoher Flamme für ca. 10 Minuten betreiben. Gerichte, die nur kurze Kochzeiten erfordern (Fisch, Gemüse) können bei offener Grillhaube gegrillt werden. Kochen bei geschlossener Haube ermöglicht höhere, gleichmäßigere Temperaturen. Kochzeiten werden reduziert und Fleischstücke werden gleichmäßiger gegart. Speisen, wie z. B. Braten, die eine Garzeit von mehr als 30 Minuten erfordern, sollten indirekt gegart werden (der Brenner gegenüber des Grillguts sollte gezündet sein). Bei der Zubereitung sehr magerer Fleischsorten wie Hühnerbrust oder mageren Stücken vom Schwein kann der Grillrost vor dem Vorwärmen eingefettet werden, um Anhaften zu vermeiden. Bei der Zubereitung von sehr fetthaltigen Fleischsorten kann es zu Aufflammen kommen. Das Fett etwas abtrimmen oder die Temperatur reduzieren, um Aufflammen zu verhindern. Sollte es zum Aufflammen kommen, Grillgut von der Flamme entfernen und Hitze reduzieren. Haube offen lassen. Weitere Anweisungen finden Sie im Napoleon-Grillkochbuch für alle Jahreszeiten mit exklusiven Rezepten für alle Gelegenheiten.

Reinigungsanleitung



WARNUNG! Beim Reinigungsanleitung sollten Arbeitshandschuhe und eine Schutzbrille getragen werden.

WARNUNG! Zum Reinigen müssen die Brenner ausgeschaltet sein. Heiße Flächen nicht ungeschützt berühren. Grill an einen Ort stellen, wo das Reinigungsmittel keinen Schaden anrichten kann (nicht auf die Terrasse oder den Rasen). Kein Teil dieses Gasgrills darf mit Ofenreiniger gesäubert werden. Grillroste oder andere Teile des Gasgrills nicht in einem selbstreinigenden Ofen säubern. Gasgrill regelmäßig reinigen, da Barbecue-Sauce und Salz das Metall angreifen.

Hinweis: In chlorid- und sulfidhaltigen Umgebungen kann auch rostfreier Stahl oxidieren oder Flecken aufweisen. Dazu gehören insbesondere Küstenregionen und andere extreme Bedingungen, z. B. die nähere Umgebung von Pools und Whirlpools, die von hoher Wärme und Luftfeuchtigkeit gekennzeichnet ist. Diese Flecken werden manchmal mit Rost verwechselt, aber sie können einfach entfernt und vermieden werden. Reiben Sie alle rostfreien Stahlflächen alle 3 bis 4 Wochen mit Leitungswasser und einem Reinigungsmittel für rostfreien Stahl ab, um die Entstehung von Flecken zu verhindern.

Gusseisen Grillroste: Die Gusseisen Grillroste Ihres neuen Grills bieten besondere Hitzespeicherung und -verteilung. Durch regelmäßiges Einfetten der Grillroste entsteht eine Schutzschicht, die Korrosion reduziert und die Anti-Haft-Eigenschaften des Rostes verbessert.

Erste Verwendung: Waschen Sie den Grillrost händisch mit einem milden Spülmittel, um etwaige Rückstände der Produktion zu entfernen (Niemals in der Spülmaschine waschen). Spülen Sie es gut mit heißem Wasser ab und trocknen Sie es mit einem weichen Tuch, um ein Eindringen von Feuchtigkeit in das Gusseisen zu verhindern.

EINFETTEN: Verwenden Sie ein weiches Tuch und verteilen Sie Pflanzenfett über den gesamten Rost inkl. aller Rillen und Ecken. Verwenden Sie keine gesalzene Fette wie Butter oder Margarine. Heizen Sie den Grill 15 Minuten vor, setzen Sie dann die eingefetteten Roste in den Grill ein. Drehen Sie die Regler in mittlere Stellung und schließen Sie den Deckel. Lassen Sie die Grillroste für 30 Minuten im Grill. Drehen Sie alle Brenner auf OFF-Position und drehen Sie das Gas an der Quelle ab. Lassen Sie die Grillroste abkühlen. Dieser Prozess sollte einige Male während der Grillsaison wiederholt werden, ist aber im täglichen Gebrauch nicht nötig (folgen Sie der folgenden Anweisung für den täglichen Gebrauch).

TÄGLICHER GEBRAUCH: Vor dem Vorheizen und Reinigen mit einer Messingdrahtbürste bedecken Sie die gesamte Oberfläche des Grillrosts mit Pflanzenfett. Heizen Sie den Grill vor und entfernen Sie dann die unerwünschten Rückstände mit der Messingdrahtbürste.

Gasgrill innen reinigen: Entfernen Sie die Grillroste. Verwenden Sie eine Messingdrahtbürste um losen Schmutz von Gussteilen und unter dem Grilldeckel zu entfernen. Bürsten Sie alle Rückstände im Inneren des Gasgrills in die abnehmbare Fettauffangschale.

Fettauffangschale/Tropfschale: Gesammelte Fette sind eine Brandgefahr. Reinigen Sie die Fettauffangschale regelmäßig, um ein Ansammeln von Fett zu verhindern.

Fette und austretende Bratensäfte laufen gesammelt in die Auffangschale, die sich unter dem Gasgrill befindet. Um die Auffangschale zu reinigen, ziehen Sie sie aus dem Grill. Kleiden Sie sie nicht mit Alufolie, Sand oder anderen Materialien aus, da dies das richtige Fließen des Fettes verhindern würde. Die Pfanne mit einer Spachtel oder einem Schaber säubern.



ACHTUNG! Stellen Sie sicher, dass die Auffangschale leer ist, bevor Sie den Grill in vertikaler Position transportieren.

Reinigen der Aussenseite des Gasgrills: Lackierte, Porzellan- oder Rostfreistahlteile nicht mit Scheuermitteln säubern. Die Porzellanemalle ist besonders vorsichtig zu behandeln. Die Emaillebeschichtung ist wie Glas und platzt beim Anschlagen leicht ab. Außenflächen am besten in handwarmem Zustand mit warmem Seifenwasser reinigen. Rostfreistahl mit einem entsprechenden Reinigungsmittel oder einem nicht scheuernden Reinigungsmittel säubern. Stets in Strukturrichtung wischen. Keine Stahlwolle verwenden, da sie Kratzspuren hinterlässt. Rostfreistahl verfärbt sich unter Hitze goldfarben oder braun. Diese Verfärbung ist normal und beeinträchtigt die Leistung des Grills nicht.

Wartungs Anleitung

Der Gasgrill sollte jährlich von einem zugelassenen Wartungsdienst überprüft und gewartet werden. Brennbare Materialien, Benzin und andere brennbare Dämpfe und Flüssigkeiten müssen entfernt vom Gasgrill gelagert werden. Luftwege zur Belüftung und zum Brenner nicht blockieren.



WARNUNG! Beim reinigungsanleitung sollten Arbeitshandschuhe und eine Schutzbrille getragen werden.



WARNUNG! Gaszufuhr vor den Wartungsarbeiten abstellen und Gerät von der Gaszufuhr trennen. Grill vor dem Warten abkühlen lassen, damit es nicht zu Verbrennungen kommt. Jährlich und nach Auswechseln eines Gasbauteils eine Leckageprüfung durchführen.



Brenner: Der Brenner ist aus dickwandigem 304 Edelstahl, aber extreme Hitze und eine korrosive Umgebung kann zu Oberflächenkorrosion führen. Diese kann mit einer Messingdrahtbürste entfernt werden.



ACHTUNG! Hüten Sie sich vor Spinnen.



Spinnen und Insekten werden vom Geruch nach Propan- und Erdgas angezogen. Der Brenner ist mit einem Insektenschutzgitter auf der Luftklappe ausgestattet, was die Wahrscheinlichkeit von Insektennestern im Inneren des Brenners reduziert, aber das Problem nicht vollständig beseitigt. Ein Nest oder Spinnennetz kann dazu führen, dass der Brenner mit einer leicht gelben oder orangen Flamme brennt oder es kann durch einen Flammenrückschlag einen Brand an der Luftklappe unter dem Bedienfeld verursachen. Um das Innere des Brenners zu reinigen, muss er vom Gasgrill entfernt werden: Entfernen Sie die Schraube(n), die die Halterung und den Brenner auf der Grundplatte befestigen. Schieben Sie den Brenner zurück und nach oben, um ihn zu entfernen.

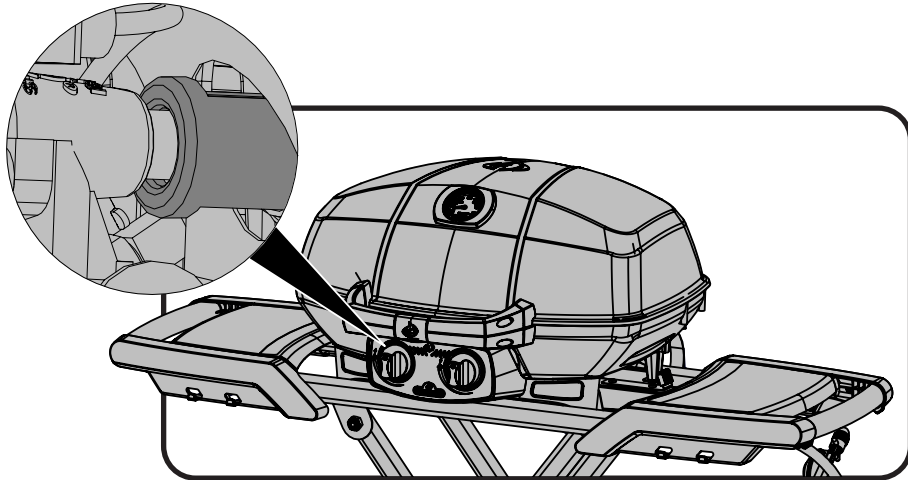
Reinigung: Verwenden Sie eine flexible Venturirohr-Bürste, um das Innere des Brenners zu reinigen. Schütteln Sie den losen Schmutz durch den Gaseinlass aus dem Brenner. Überprüfen Sie die Brenneröffnungen und Ventilöffnungen auf etwaige Verstopfungen. Brenneröffnungen können im Laufe der Zeit durch Grillrückstände und Korrosion verstopfen – verwenden Sie eine Büroklammer um sie zu reinigen. Die Brenneröffnungen sind einfacher zu reinigen, wenn die Brenner entfernt sind; es funktioniert aber auch mit eingebauten Brennern.

ACHTUNG! Achten Sie darauf, die Löcher nicht zu vergrößern. Stellen Sie sicher, dass das Insektengitter sauber, fest und frei von Fusseln und anderen Fremdkörpern ist.

Wieder-Einbau: Führen Sie den Prozess umgekehrt durch, um den Brenner wieder zu installieren. Stellen Sie sicher, dass das Ventil bei der Installation in den Brenner führt. Setzen Sie die Halterung ein und ziehen Sie die Schrauben fest, um den Einbau abzuschließen.



WARNUNG! Bei der erneuten Installation des gereinigten Brenners unbedingt sicherstellen, dass das Ventil/ die Öffnung in das Brennerrohr führt, bevor der Gasgrill angezündet wird. Wenn das Ventil sich nicht innerhalb des Brennerrohrs befindet, kann es zu Brand oder Explosion kommen.



ACHTUNG! Schlauch : auf Abrieb, Schmelzstellen, Einschnitte und Risse untersuchen. Wenn einer dieser Defekte vorliegt, darf der Gasgrill nicht benutzt werden. Schlauch von Ihrem Napoleon-Händler oder einem Fachbetrieb auswechseln lassen.

Aluminium-Guss-Deckel: Ihr Grill besitzt einen Deckel aus Aluminium-Guss, der nicht rostet und dessen Oberfläche einfach zu pflegen ist. Die Innenseite des Deckels ist aus Rohaluminium. Fließlinien und Trennmittel-Markierungen am Material können sichtbar sein. Das ist kein Defekt sondern stammt von der Gussform der Herstellung.

Reinigen Sie den Grilldeckel regelmäßig mit warmem Spülwasser. Obwohl Aluminium-Guss nicht rostet, können hohe Temperaturen und Witterung Oxidation an der Oberfläche hervorrufen. Diese zeigt sich in Form von weißen Stellen am Material. Sie können diese Bereiche behandeln, indem Sie sie zuerst reinigen und anschließend mit einem feinkörnigen Schleifpapier vorsichtig anschleifen. Danach wischen Sie die Rückstände ab und übermalen die Stelle mit speziellem, hitzefestem Grill-Lack. Schützen Sie umliegende Bereiche. Folgen Sie den Anweisungen des Lack-Herstellers bezüglich Aushärtens des Lacks.

Problembehandlung

Problem	Mögliche Ursachen	Lösung
Geringe Hitze / Niedrige Flamme trotz Reglerposition „high“	Gas-Blockade. Falsches Vorheizen. Gasflasche zugefroren.	Auf Spinnennetze im Brenner oder der Öffnung überprüfen. Hauptbrenner des Grills auf höchster Stufe 5 – 10 Minuten vorheizen. Bei langem Grillen, wenn die Gasflasche fast leer ist oder sehr niedrige Außentemperaturen herrschen hat eine 1-Pfund-Gasflasche nicht genügend befeuchtete Oberfläche, um flüssiges Propan in Dampf zu verwandeln. Setzen Sie eine neue Gasflasche ein.
Übermäßiges Aufflammen/ ungleichmäßige Hitze	Falsches Vorheizen. Übermäßige Fett- und Asche-Rückstände in der Fettauffangschale.	Grill mit beiden Hauptbrennern in höchster Stufe 5 – 10 Minuten vorheizen. Auffangschale regelmäßig reinigen. Nicht mit Alufolie auskleiden. Den Reinigungsanweisungen folgen.
Brenner brennen mit gelber Flame, begleitet von Gasgeruch	Spinnennetz oder andere Fremdkörper oder unsachgemäße Luftklappeneinstellung.	Brenner entfernen und gründlich reinigen. Siehe Allgemeine Wartungsanweisungen. Luftklappen entsprechend der Anweisung für Verbrennungslufteinstellungen leicht öffnen (Diese Tätigkeit muss von einem professionellen Gasinstallateur durchgeführt werden).
Flammen heben sich vom Brenner ab, begleitet von Gasgeruch und möglichen Schwierigkeiten beim Zünden.	Unsachgemäße Luftklappen- Einstellung.	Luftklappen entsprechend der Anweisung für Verbrennungslufteinstellungen leicht schließen (Diese Tätigkeit muss von einem professionellen Gasinstallateur durchgeführt werden).
Brenner last sich nicht mit der Zündvorrichtung entfachen, aber mit einem Streichholz.	Jet-Fire Ventil ist schmutzig oder verstopft.	Jet-Fire Ventil mit einem weichen Borstenpinsel reinigen.
„Lack“ scheint sich auf der Innenseite des Deckels oder der Grillhaube abzuschälen	Fettablagerungen auf der inneren Oberfläche.	Das ist kein Defekt. Das „Abschälen“ wird durch gehärtete Fette verursacht, die sich in eingetrocknetem Zustand in eine lack-ähnliche Schicht verwandeln und abfallen. Regelmäßiges Reinigen verhindert dies. Siehe Reinigungsanweisungen.
Brennleistung auf hoher Einstellung ist zu schwach (grollendes Geräusch und flackernde blaue Flamme an der Brenneroberfläche)	Zu wenig Gas. Gaszufuhrschlauch ist eingeklemmt. Schmutzige oder verstopfte Öffnung. Spinnennetz oder andere Fremdkörper im Venturirohr.	Gaslevel in der Gasflasche prüfen. Gaszufuhrschlauch entsprechend positionieren. Brenneröffnung reinigen. Venturirohr reinigen.
Regler gibt ein brummendes Geräusch ab.	Ist an heißen Tagen normal.	Dies ist kein Defekt. Es wird durch Vibrationen im Regler erzeugt und beeinträchtigt die Leistung und Sicherheit des Grills nicht. Brummende Regler werden nicht ersetzt.

**RECHNUNG/KASSENBON ALS KAUFBELEG FÜR GARANTIEANFRAGEN
AUFBEWAHREN**

ERSATZTEILBESTELLFORMULAR

GARANTIEINFORMATIONEN

MODELL: _____

KAUFDATUM: _____

SERIENNUMMER: _____

(Speichern Sie diese Informationen hier als künftige Referenz)

Für Ersatzteile und Garantieanfragen, kontaktieren Sie Ihren Napoleonhändler, bei dem das Produkt gekauft wurde.

Vor Sie Ihren Händler kontaktieren, lesen Sie bitte die Napoleon Grills Website, um mehr über Reinigung, Wartung, Troubleshooting und Ersatzteilmontage zu erfahren:

<https://www.napoleon.com/de/de/willkommen>

Um eine Reklamation einzureichen, sind folgende Unterlagen erforderlich:

1. Typenbezeichnung und Seriennummer des Geräts.
2. Artikelnummer und -Bezeichnung.
3. Bündige Problembeschreibung („defekt“ reicht nicht aus).
4. Kaufbeleg (Rechnungskopie, Kopie des Kassenbons).

Napoleon behält sich das Recht vor, als Voraussetzung für Ersatzteile, den Rückversand reklamierter Teile zu beantragen.

Bitte beachten Sie, vor Sie Ihren Händler kontaktieren, dass folgende Items keine Garantiegründe darstellen:

- Versand-, Zoll- oder sonstige Gebühren.
- Montagearbeit und -Kosten.
- Kommunikationskosten, um eine (Fern-)Diagnose zu stellen.
- Edelstahlverfärbungen.
- Schäden verursacht durch mangelnde Reinigung und Wartung, oder die Anwendung ungeeigneter Reinigungsmittel (Ofenreiniger oder abrasiver Chemikalien).



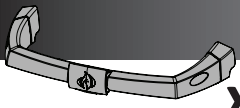
CAUTION! During unpacking and assembly we recommended you wear work gloves and safety glasses for your protection. Although we make every effort to make the assembly process as problem free and safe as possible, it is characteristic of fabricated steel parts that the edges and corners might be sharp and could cause cuts if handled incorrectly.



ACHTUNG! Wir empfehlen beim Entpacken des Geräts und bei der Montage Arbeitshandschuhe und eine Schutzbrille zu tragen. Wir unternehmen alle Anstrengungen, den Montageprozess so problemlos und sicher wie möglich zu machen, doch bearbeitete Stahlteile haben üblicherweise scharfe Kanten und Ecken, die zu Schnittverletzungen führen können, wenn sie während der Montage unsachgemäß gehandhabt werden.

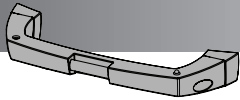
3/8" (10 mm)





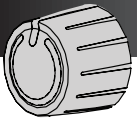
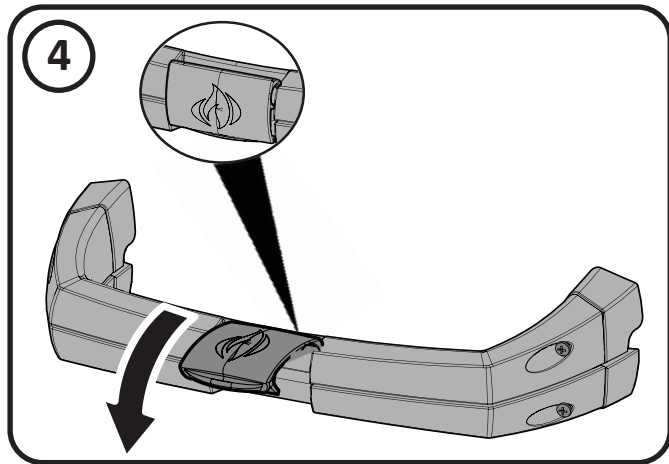
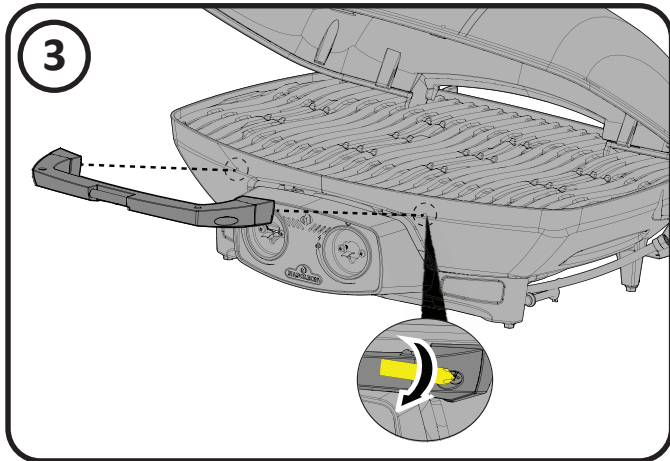
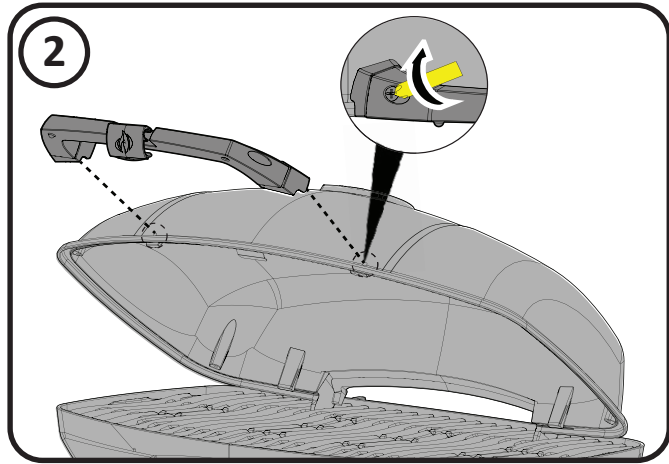
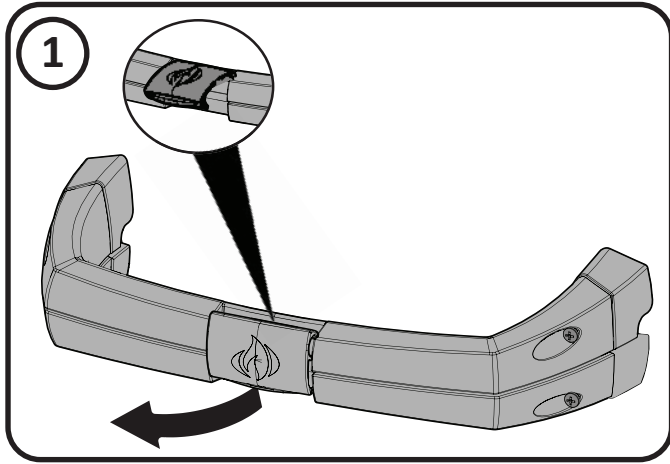
x1

N010-1156-SER



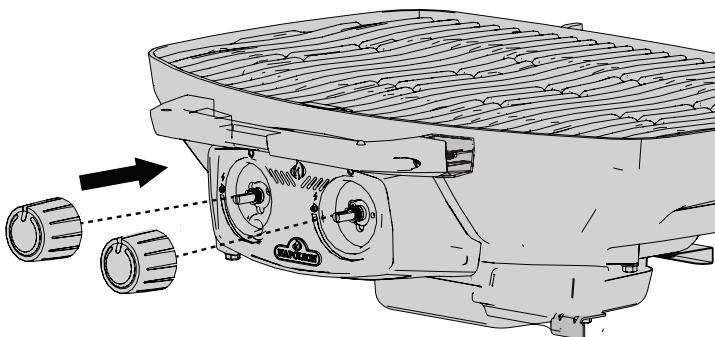
x1

N010-1157-SER



x2

N380-0042





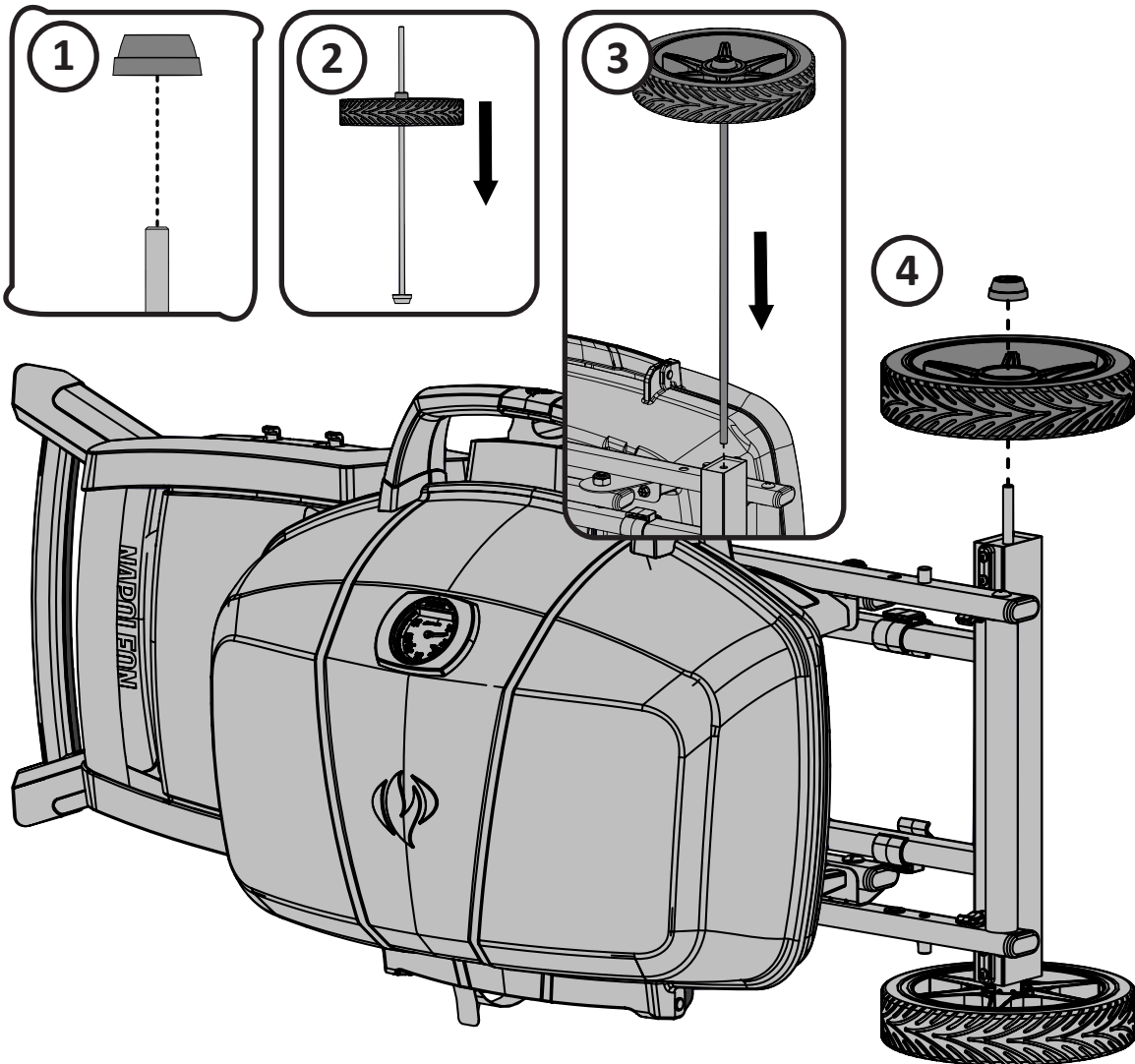
x2

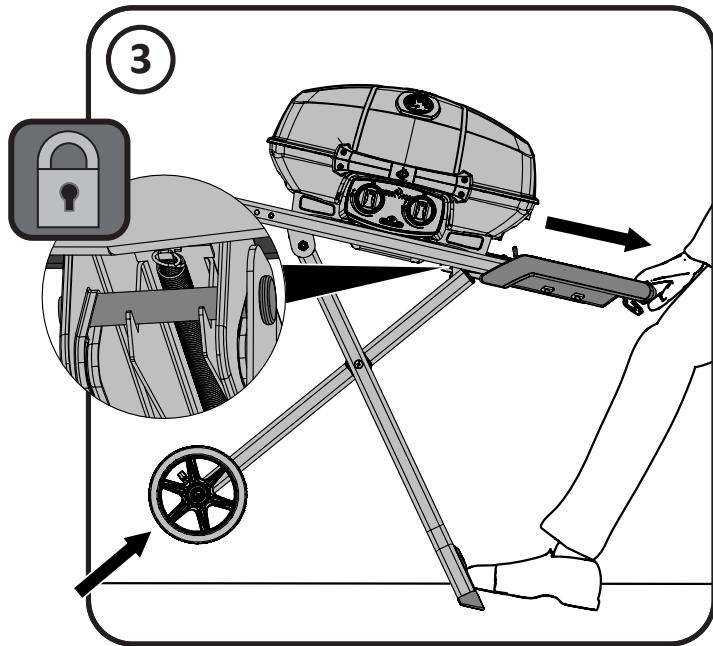
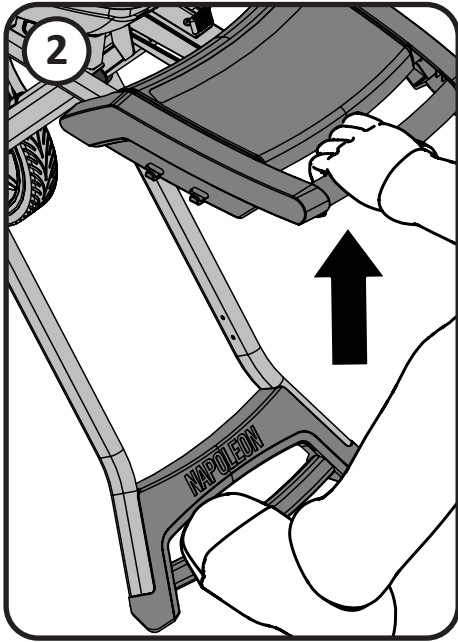
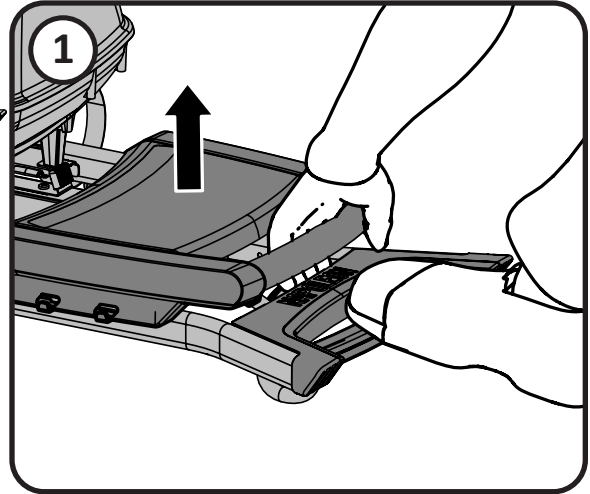
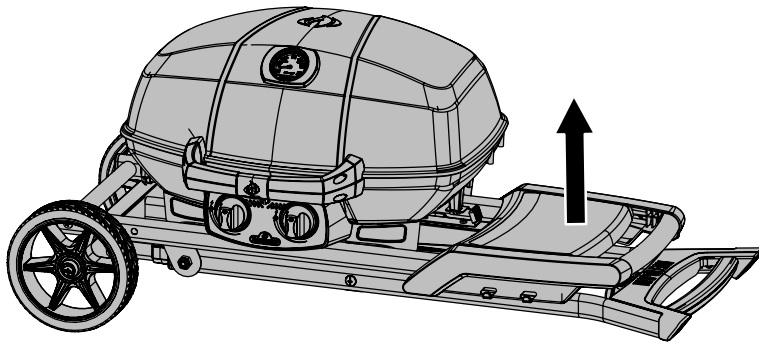
N450-0043 (8mm)

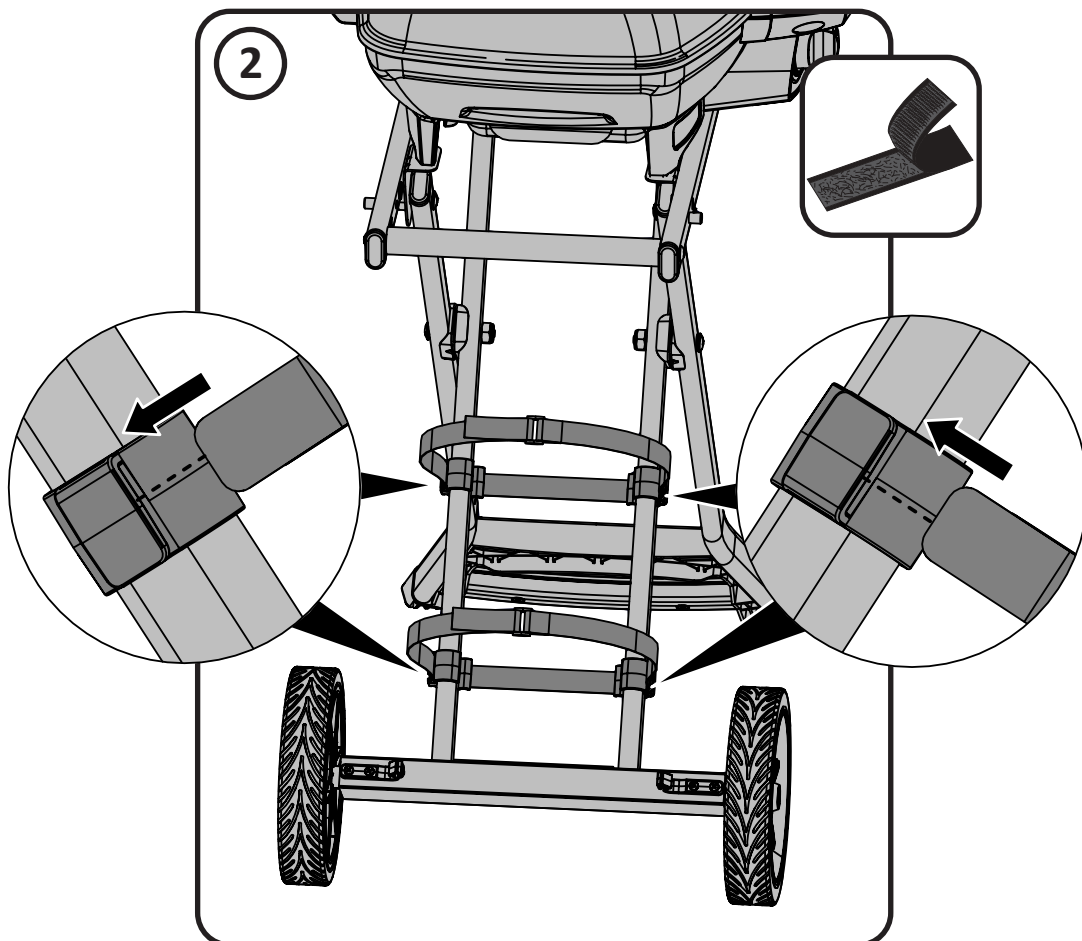
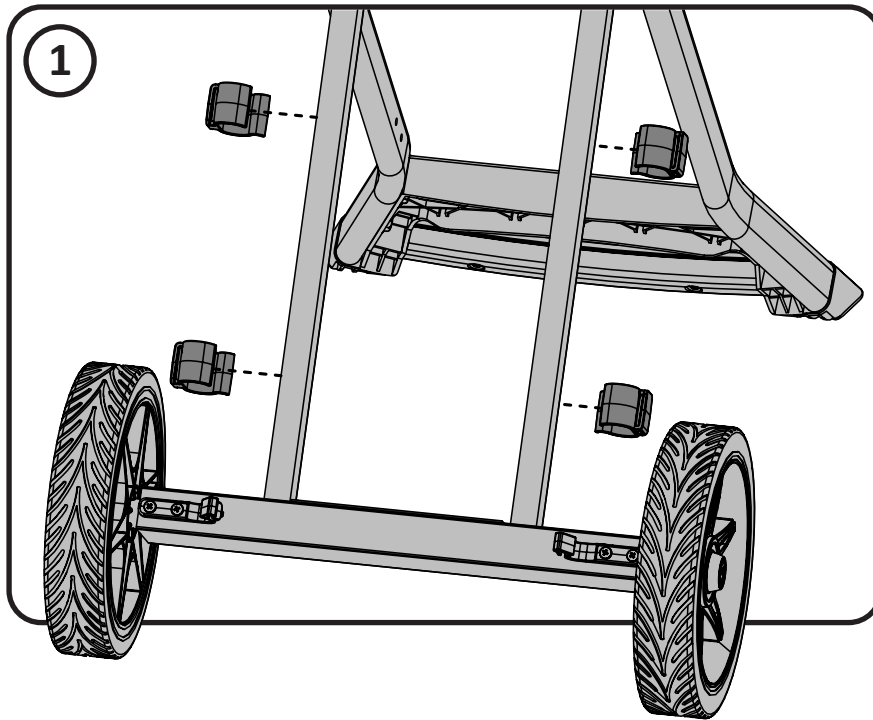


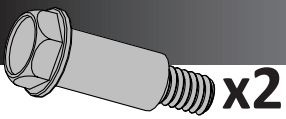
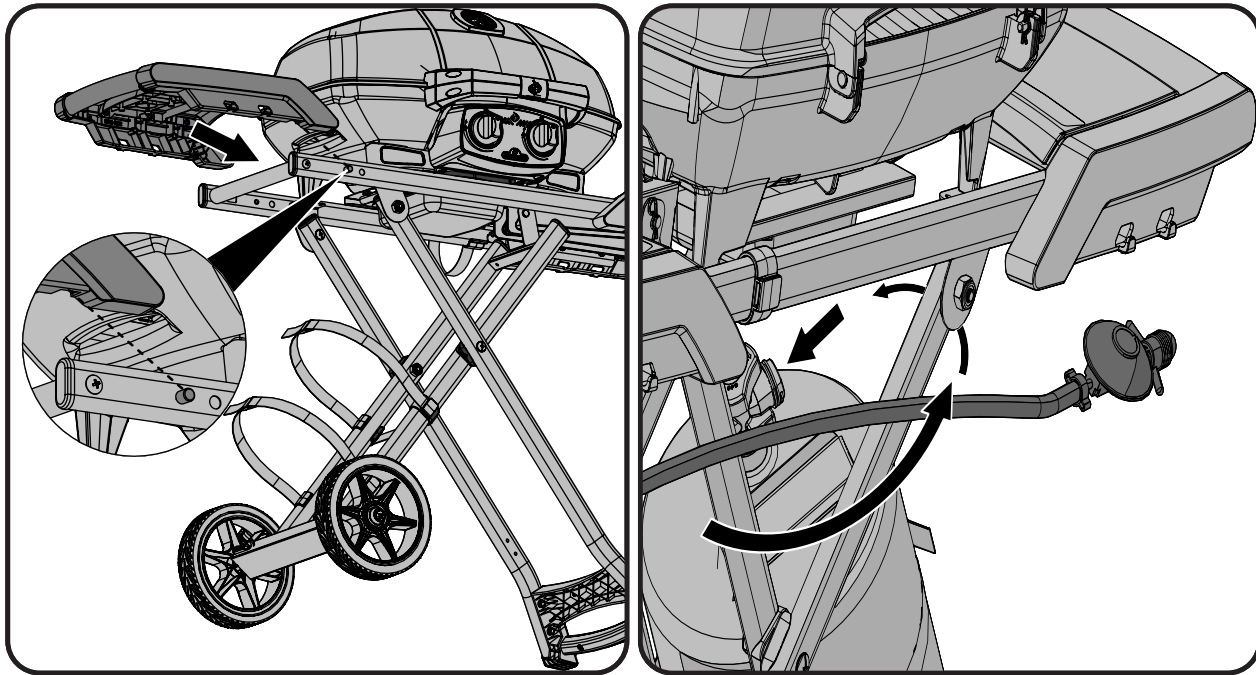
If necessary the axle cap can be tapped with a rubber mallet.

Falls erforderlich, kann die Achsemutter mit einem gummihammer nach unten geklopft werden.

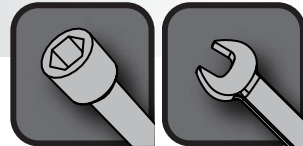




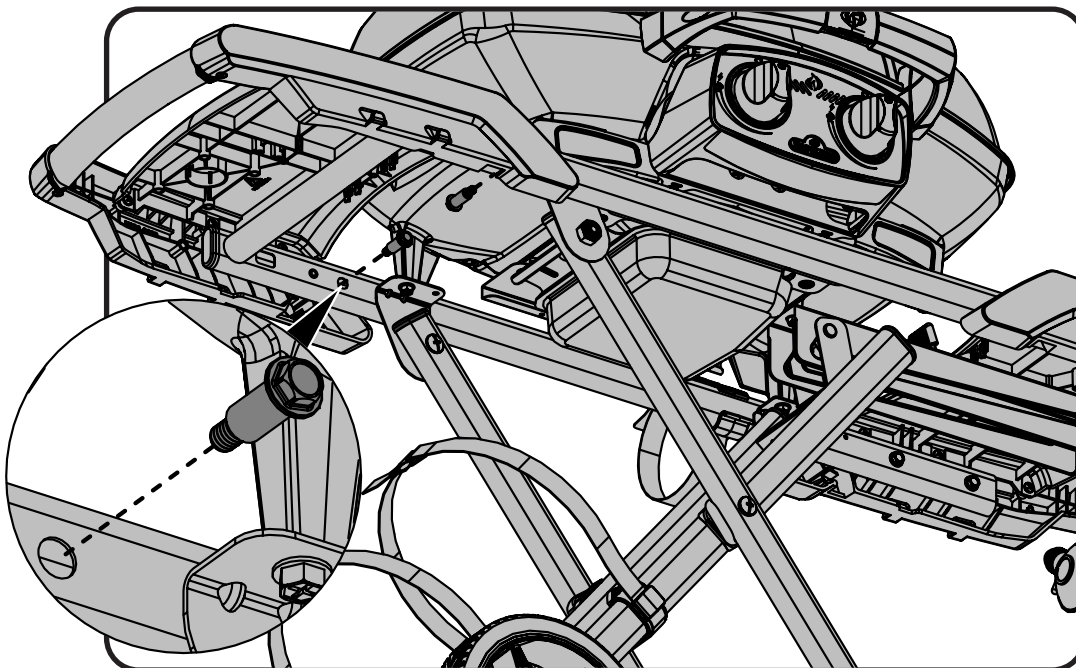


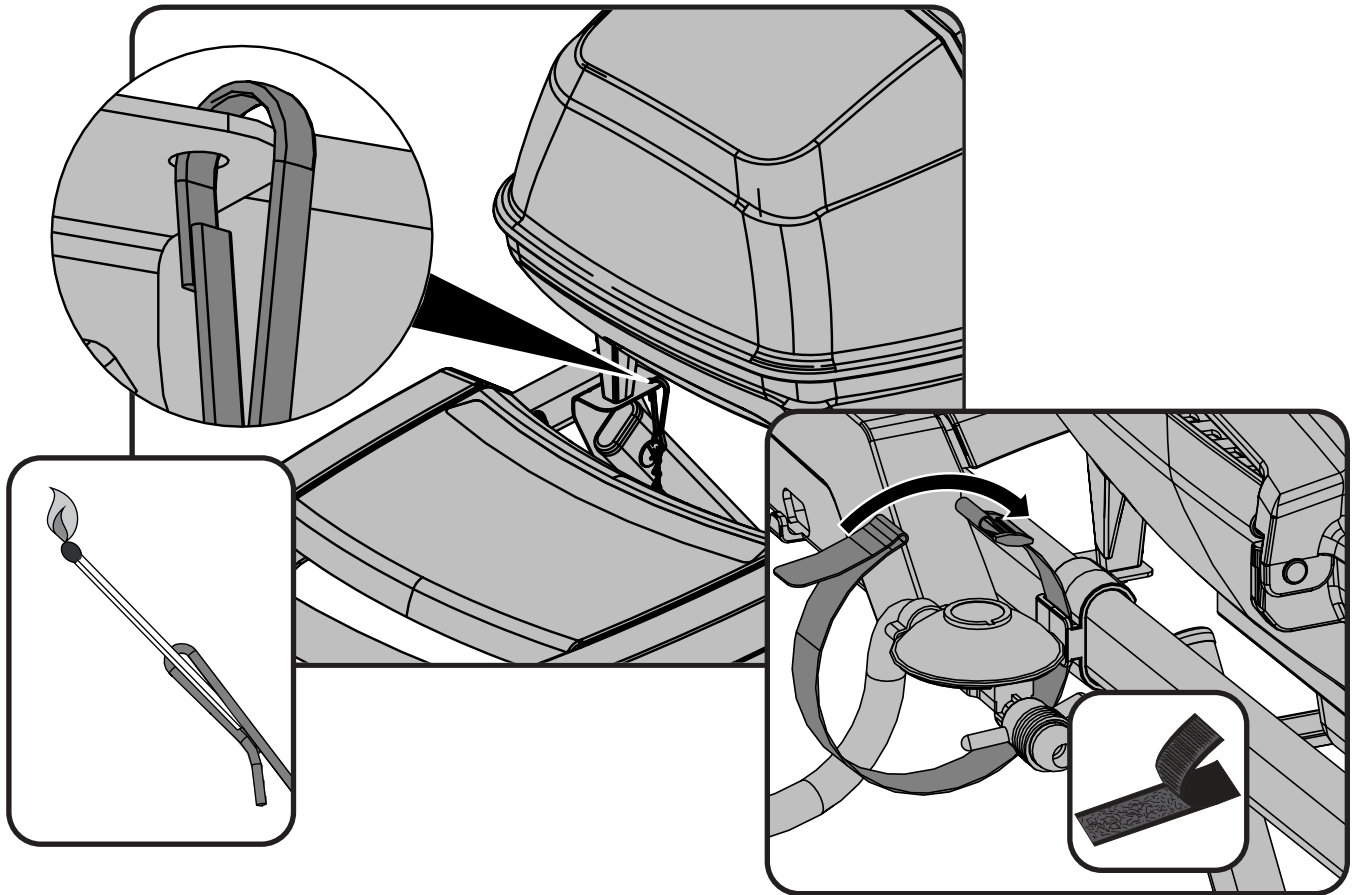


N570-0110 (1/4"-20)



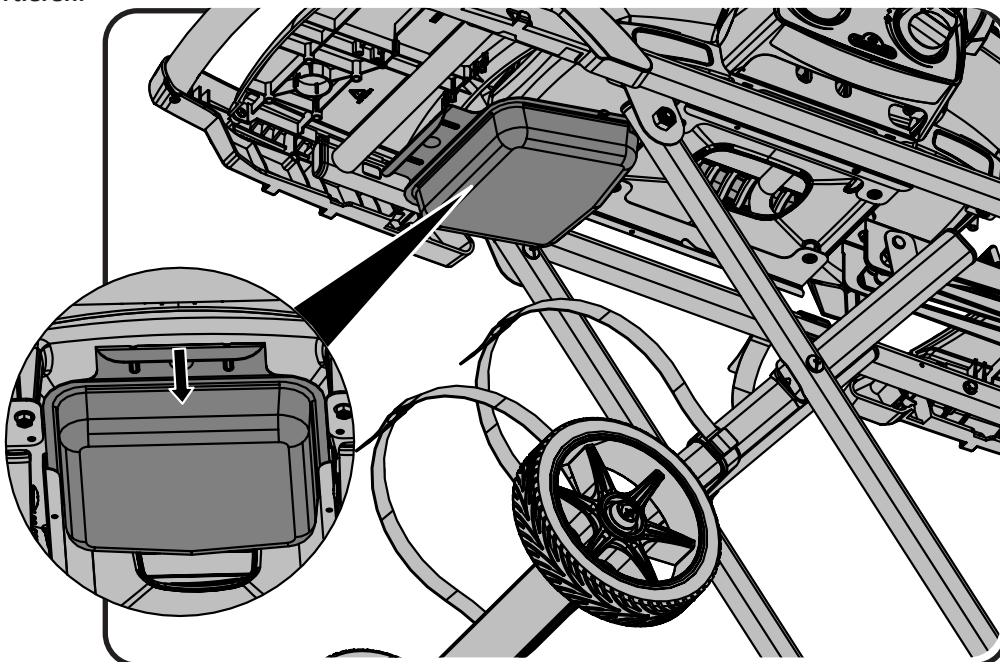
10mm

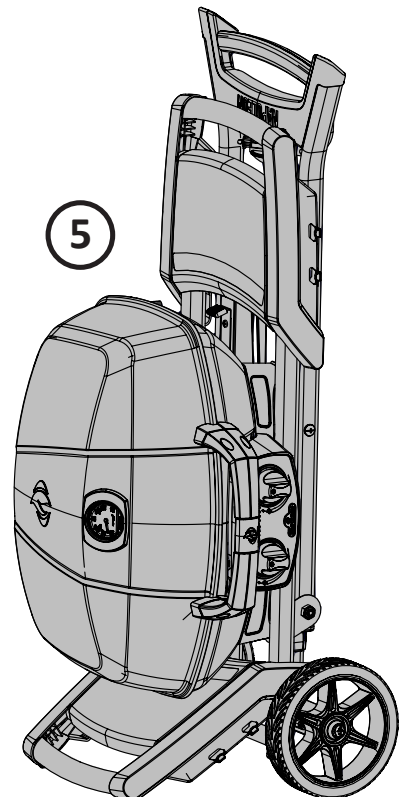
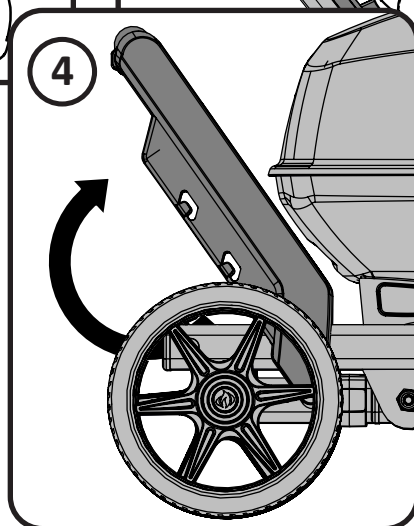
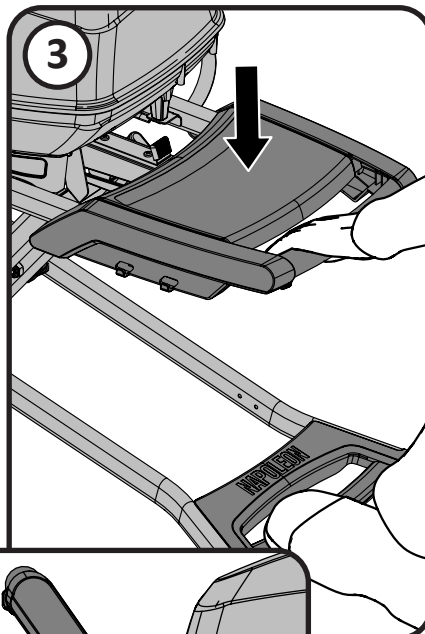
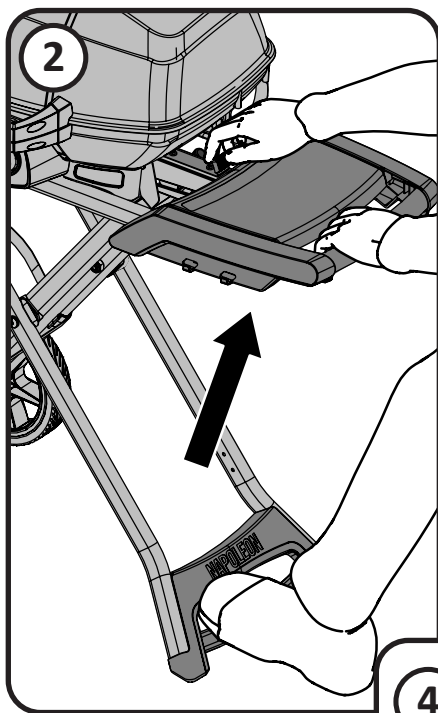
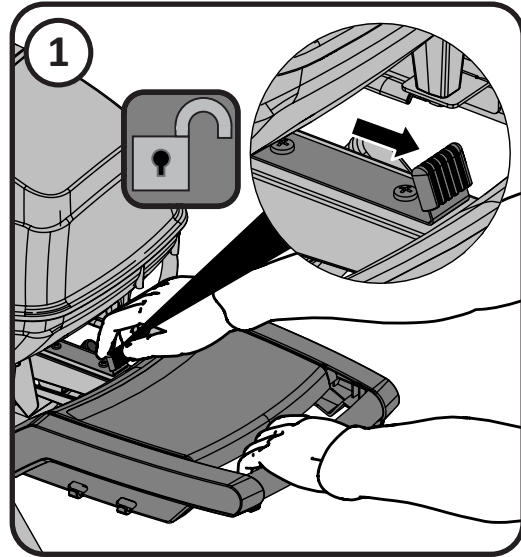
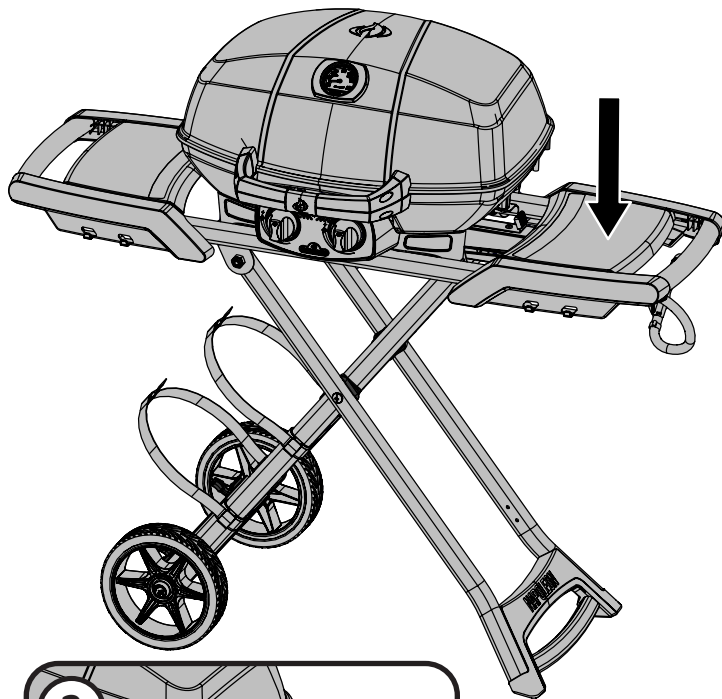




CAUTION! Ensure drip pan is empty and clean before transporting grill in vertical position.

ACHTUNG! Stellen Sie sicher, dass die Auffangschale leer ist, bevor Sie den Grill in vertikaler Position transportieren.





Parts List

Item	Part #	Description	PRO285X-BK	PRO285X-MK-PHM	
1	N325-0085-SS1SG	cart handle	x		
	N325-0085-BK1FL	cart handle, matte black		x	
2	N120-0023	nylon cap	x	x	
3	Z570-0036	1/4-20 x 7/8" screw	x	x	
4	N325-0086-SS1SG	cart shelf handle	x		
	N325-0086-BK1FL	cart shelf handle, matte black		x	
5	N120-0022	left self cap	x	x	
6	N120-0021	right shelf cap	x	x	
7	N570-0013	#8 X 5/8" screw	x	x	
8	N590-0237	scissor cart shelf	x	x	
9	N570-0076	#8 x 1/2" screw	x	x	
10	N570-0111	#14 x 1 1/4" screw	x	x	
11	N010-0804-SS1SG	front cart beam	x		
	N010-0804-BK1FL	front cart beam, matte black		x	
	N160-0017	flex line clip	x	x	
12	N010-0805-SS1SG	rear cart beam	x		
	N010-0805-BK1FL	rear cart beam, matte black		x	
13	N525-0047-BK1SG	sliding track rail	x	x	
14	N530-0032	regulator hose DE	x	x	
	N530-0033	regulator hose NL	x	x	
	N530-0037	regulator hose UK	x	x	
	N530-0046	regulator hose CZ	x	x	
	N530-0034	regulator hose DK	x	x	
	N530-0034	regulator hose NO, FI, ES	x	x	
	N530-0038	regulator hose FR	x	x	
	N530-0035	regulator hose SE	x	x	
	N530-0036	regulator hose IT	x	x	
	N530-0044	regulator hose PL	x	x	
	N530-0043	regulator hose RU	x	x	
	15	N080-0356-BK1SG	hose mount fitting adapter bracket	x	x
	16	N570-0086	#14 x 1/2" screw	x	x
	17	N135-0045-BK1HT	base	x	x
18	N570-0104	10-24 x 3/8" screw	x	x	
19	N475-0319	control panel	x	x	
20	N010-0825	manifold 50mbar (DE)	x	x	
	N010-0773	manifold 30mbar (CE)	x	x	
21	N570-0078	10-24 x 3/8" screw	x	x	
22	N585-0089-BK1HT	control panel heat shield	x	x	
23	N380-0020-RD	control knob	x		
	N380-0042-BK	control knob, black		x	
24	N200-0109-BK1HT	right leg cover	x	x	
25	N200-0108-BK1HT	left leg cover	x	x	
26	N710-0079	drip pan	x	x	

Parts List

Item	Part #	Description	PRO285X-BK	PRO285X-MK-PHM
27	N010-0821	left drip pan bracket	x	x
28	N010-0822	right drip pan bracket	x	x
29	N570-0073	1/4-20 x 3/8" screw	x	x
30	Z570-0033	10-24 x 12mm screw	x	x
31	N100-0047	right burner	x	x
32	N100-0046	left burner	x	x
33	N655-0158	left bottom support handle	x	
	N655-0158-BK1HT	left bottom support handle, matte black		x
34	N655-0159	right bottom support handle	x	
	N655-0159-BK1HT	right bottom support handle, matte black		x
35	Z570-0029	10-24 x 35mm screw	x	x
36	N325-0082	top/bottom handle	x	x
37	N485-0023	clevis pin	x	x
38	N485-0021	cotter pin	x	x
39	N080-0302	cross light bracket	x	x
40	N305-0087-BK2FL	left cooking grid	x	x
41	N305-0088-BK2FL	right cooking grid	x	x
42	N735-0018	leg pivot washer	x	x
43	N720-0067-SS1SG	foot frame tube	x	
	N720-0067-BK1FL	foot frame tube, matte black		x
44	N272-0001	scissor cart foot	x	x
45	N325-0084	scissor cart foot handle	x	x
46	N160-0037	CE tank strap bracket	x	x
47	N010-0806-SS1SG	wheel side frame	x	
	N010-0806-BK1FL	wheel side frame, matte black		x
48	Z745-0001	wheel	x	
	Z745-0001-BK	wheel, black		x
49	N015-0009	axle	x	x
50	N160-0026	side shelf folding clip	x	x
51	N450-0043	axle cap	x	x
52	N655-0200	left top handle support	x	
	N655-0200-BK1HT	left top handle support, matte black		x
53	N655-0201	right top handle support	x	
	N655-0201-BK1HT	right top handle support, matte black		x
54	N390-0003	handle latch	x	x
55	N685-0017	temperature gauge	x	
	N685-0017-BK	temperature gauge, black		x
56	N135-0048-BK1HG	lid casting	x	
	N135-0048-BK1HL	lid casting, matte black		x
57	W450-0027	1/2" brass nut	x	x
58	N255-0057	3/8" - 1/4" union fitting	x	x
59	N255-0014	fitting	x	x
60	N640-0003	regulator strap	x	x

Parts List

Item	Part #	Description	PRO285X-BK	PRO285X-MK-PHM
61	N735-0019	8mm washer	x	x
62	N570-0108	M8 x 35mm screw	x	x
63	N570-0109	M8 x 60mm screw	x	x
64	Z450-0015	M8 nut	x	x
65	N485-0022	8 x 50mm clevis pin	x	x
66	N570-0110	shoulder screw	x	x
67	N720-0060	manifold flex	x	x
68	N555-0097	lighting rod	x	x
69	N390-0004-BK1SG	slide lock latch	x	x
70	N630-0006	spring	x	x
71	N390-0005-SS1SG	slide handle latch	x	
	N390-0005-BK1FL	slide handle latch, matte black		x
72	N500-0042B	slide handle	x	x
73	Z570-0023	10-24 x 6mm screw	x	x
74	N010-0942-BK	lid assembly	x	
	N010-0942-MK	lid assembly, matte black		x
75	N475-0319-SER	control panel assembly 30 mbar	x	
	N475-0319-DE-SER	control panel assembly 50 mbar	x	
	N010-1461-SER	control panel assembly 30 mbar, matte black		x
	N010-1462-SER	control panel assembly 50 mbar, matte black		x
76	N010-0943-BK	top handle assembly	x	
	N010-1463-MK-SER	top handle assembly, matte black		x
77	N010-0820-SER	side shelf assembly	x	
	N010-0820-MK-SER	side shelf assembly, matte black		x
78	N325-0082B-SER	bottom handle assembly	x	
	N010-1464-MK-SER	bottom handle assembly, matte black		x
79	N325-0084-SER	scissor cart foot handle assembly	x	x
80	N525-0047-BK1SG-SER	rail sliding track assembly	x	
	N010-1465-SER	rail sliding track assembly, matte black latch		x
81	Z570-0037	10-24 x 38mm screw	x	x
82	N640-0004	tank strap	x	x
83	N570-0099	#14 x 3/4" screw	x	x
84	N320-0006	anti-slip tank guard	x	x
85	Z735-0015	washer	x	x
	71286	warming rack	ac	x
	56080	griddle	ac	ac
	61288	cover	ac	ac
	62006	kit of 5 replacement grease trays	ac	ac

x - standard ac - accessory









Napoleon products are protected by one or more U.S. and Canadian and/or foreign patents or patents pending.



N415-0437CE-GB-DE

